

NOTES:

1. MATERIAL OF CONSTRUCTION IS 304SS BRUSHED #4 FINISH.
2. MOUNTS A 12" BUTTERFLY UNIT.

UNLESS OTHERWISE SPECIFIED:

DIMENSIONS ARE IN INCHES
 TOLERANCES:
 FRACTIONAL ± 1/32
 ANGULAR: ± 2°
 TWO PLACE DECIMAL ± 0.010
 THREE PLACE DECIMAL ± 0.005

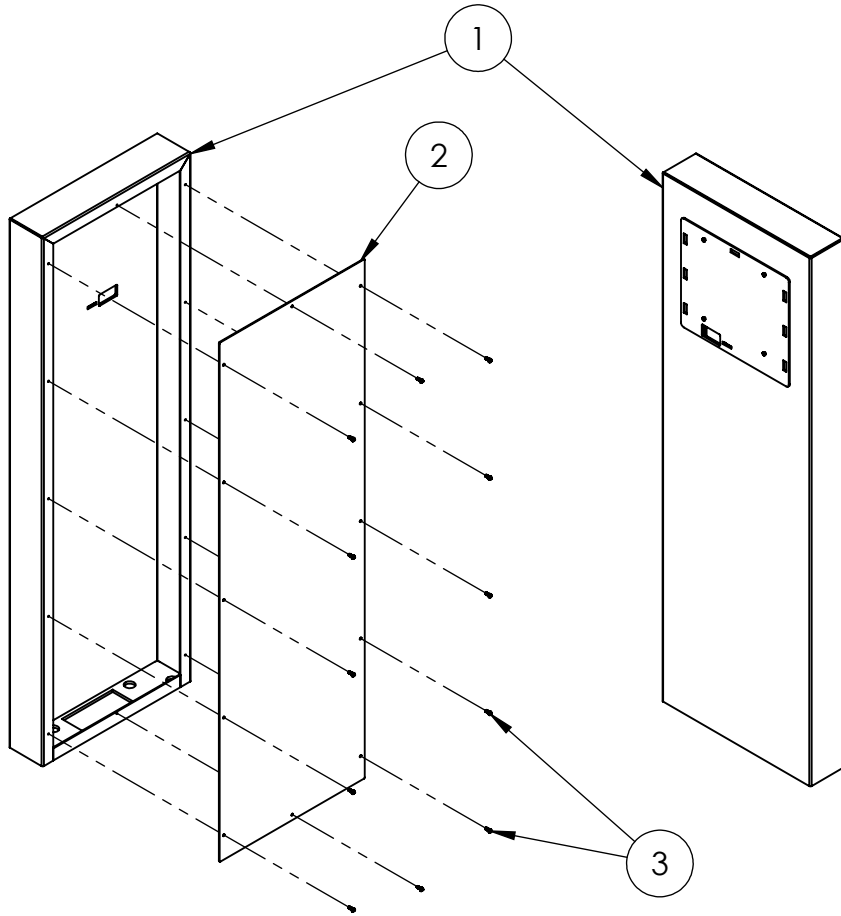
INTERPRET GEOMETRIC
 TOLERANCING PER:
 ASME Y14.5 -2009

NAME	DATE
DRAWN	
CHECKED	

TITLE:
INSTALLATION

SIZE A	PART NO. MX-SS-12S	REV 0
WEIGHT:	NO SCALE	SHEET 1 OF 10

ITEM NO.	PART NUMBER	DESCRIPTION	QTY.
1	MX-SS-12S MAIN BODY	304SS TOWER WELDMENT	1
2	MX-SS-12S ACCESS DOOR	304SS DOOR WELDMENT	1
3	91772A194	8-32 SS BUTTON HEAD SCREW	12



- NOTES:
- BRUSHED #4 FINISH.
 - MOUNTS A BUTTERFLY MX 21 INCH SURFACE MOUNT UNIT.

UNLESS OTHERWISE SPECIFIED:
 DIMENSIONS ARE IN INCHES
 TOLERANCES:
 FRACTIONAL $\pm 1/32$
 ANGULAR: $\pm 2^\circ$
 TWO PLACE DECIMAL ± 0.010
 THREE PLACE DECIMAL ± 0.005
 INTERPRET GEOMETRIC TOLERANCING PER: ASME Y14.5 -2009

	NAME	DATE
DRAWN		
CHECKED		

TITLE: MX-SS-12S			SIZE A	PART NO. ASSEMBLY	REV 0
WEIGHT:		NO SCALE		SHEET 2 OF 10	