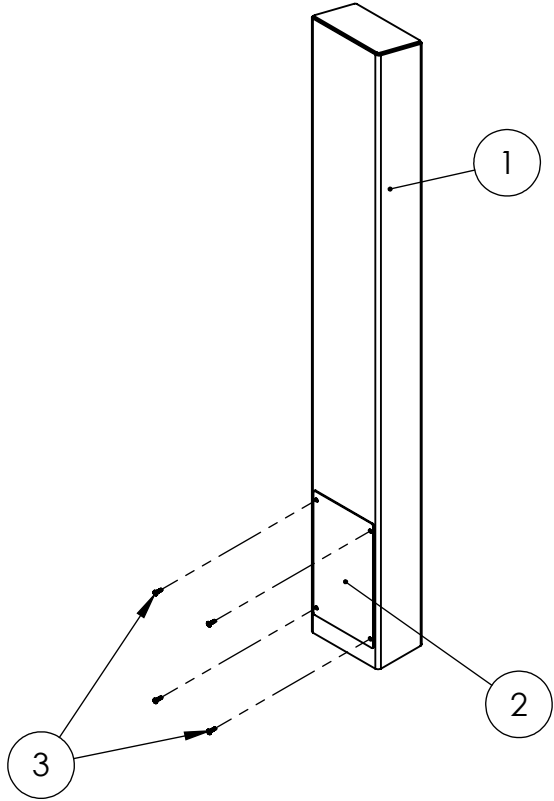


**NOTES:**

1. 1/2"  $\phi$  MOUNTING HARDWARE IS RECOMMENDED FOR 5X5 BASEPLATE AND STAINLESS TOWER MODELS. L-BOLT-500, STUD-ANCHOR-500.
2. 5/8"  $\phi$  MOUNTING HARDWARE IS RECOMMENDED FOR 8X8 BASEPLATE, 12X12 BASEPLATE, AND BOLLARD STYLE BASEPLATE MODELS. L-BOLT-625, STUD-ANCHOR-625.
3. MATERIAL OF CONSTRUCTION IS 304SS BRUSHED #4 FINISH.

UNLESS OTHERWISE SPECIFIED:  DIMENSIONS ARE IN INCHES TOLERANCES: FRACTIONAL $\pm 1/32$ ANGULAR: $\pm 2^\circ$ TWO PLACE DECIMAL $\pm 0.010$ THREE PLACE DECIMAL $\pm 0.005$  INTERPRET GEOMETRIC TOLERANCING PER: ASME Y14.5 -2009	NAME	DATE	TITLE:	SIZE	PART NO.	REV
	DRAWN			<b>INSTALLATION</b>		
	CHECKED					
WEIGHT:			NO SCALE	SHEET 1 OF 7		

ITEM NO.	PART NUMBER	DESCRIPTION	QTY.
1	ADA-SS-TWR-47X4X6	304SS 47" BODY	1
2	ACCESS COVER 6	STND 5.25 X 8.5 ACCESS COVER	1
3	--	8-32 SS BUTTON HEAD SCREW	4



- NOTES:
1. SEE STANDARD PREPARATION AND COATING INSTRUCTIONS FOR COATING PROCEDURE AND COLOR
  2. SEE STANDARD PACKAGING INSTRUCTIONS FOR PACKAGING PROCEDURE

UNLESS OTHERWISE SPECIFIED:  DIMENSIONS ARE IN INCHES TOLERANCES: FRACTIONAL $\pm 1/32$ ANGULAR: $\pm 2^\circ$ TWO PLACE DECIMAL $\pm 0.010$ THREE PLACE DECIMAL $\pm 0.005$  INTERPRET GEOMETRIC TOLERANCING PER: ASME Y14.5 -2009	DRAWN	NAME	DATE	TITLE: <b>ASSEMBLY</b>	SIZE	PART NO.	REV
	CHECKED				<b>A</b>	ADA-SS-TWR-47X4X6	<b>A</b>
	WEIGHT:		NO SCALE		SHEET 2 OF 7		