

NOTES:

1. 1/2"  $\phi$  MOUNTING HARDWARE IS RECOMMENDED FOR 5X5 BASEPLATE MODELS. L-BOLT-500, STUD-ANCHOR-500.
2. 5/8"  $\phi$  MOUNTING HARDWARE IS RECOMMENDED FOR 8X8, 12X12, AND BOLLARD STYLE BASEPLATE MODELS. L-BOLT-625, STUD-ANCHOR-625.

UNLESS OTHERWISE SPECIFIED:

DIMENSIONS ARE IN INCHES  
 TOLERANCES:  
 FRACTIONAL  $\pm 1/32$   
 ANGULAR:  $\pm 2^\circ$   
 TWO PLACE DECIMAL  $\pm 0.010$   
 THREE PLACE DECIMAL  $\pm 0.005$

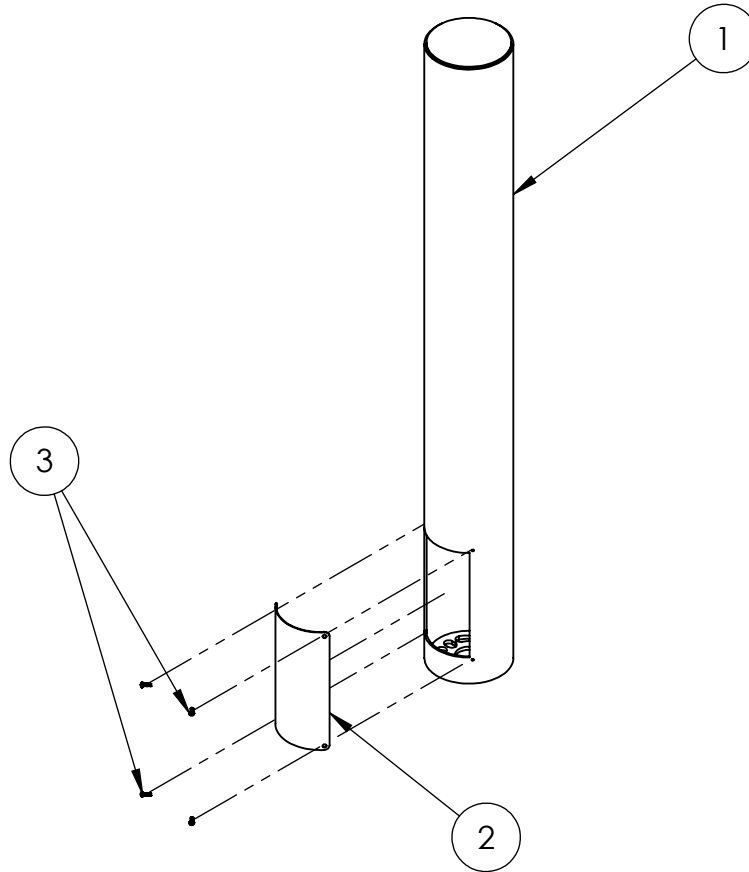
INTERPRET GEOMETRIC  
 TOLERANCING PER:  
 ASME Y14.5 -2009

NAME	DATE
DRAWN	
CHECKED	

TITLE:  
**INSTALLATION**

WEIGHT:	NO SCALE	SHEET 1 OF 7
SIZE	PART NO.	REV
<b>A</b>	ADA-SS-BOL-48x5RxF	<b>A</b>

ITEM NO.	PART NUMBER	DESCRIPTION	QTY.
1	48X5RXFADA-SS-BOL-48x5Rx F	BOLLARD WELDMENT	1
2	ACCESS COVER 5 ROUND	CURVED ACCESS PANEL	1
3	---	8-32 X 1/2 SS BUTTON HD SCREW	4



UNLESS OTHERWISE SPECIFIED:

DIMENSIONS ARE IN INCHES  
 TOLERANCES:  
 FRACTIONAL  $\pm 1/32$   
 ANGULAR:  $\pm 2^\circ$   
 TWO PLACE DECIMAL  $\pm 0.010$   
 THREE PLACE DECIMAL  $\pm 0.005$

INTERPRET GEOMETRIC  
 TOLERANCING PER:  
 ASME Y14.5 -2009

	NAME	DATE
DRAWN		
CHECKED		

TITLE:  
**ASSEMBLY**

	SIZE <b>A</b>	PART NO. ADA-SS-BOL-48x5Rx F	REV <b>A</b>
WEIGHT:	NO SCALE	SHEET 2 OF 7	