

## 72" DUAL PAD MOUNT PEDESTAL



### PRO Features:

- 1) Universal face plate, 4.75" x 4.75" x .120" (11 gauge)
- 2) Universal base plate, 8" x 8" x .25" (1/4" plate)
- 3) Cover plate, 8.25" x 8.25" x 2.25" (16 gauge)
- 4) Heavy duty square tube 3" x 3" x .120" wall (11 gauge)
- 5) 4.00" Reach (On Vertical Center), Top Neck has Two 45° Cuts & Welded, Bottom Neck is 90° Cut & Welded
- 6) Phosphate pretreatment (rust inhibitor)
- 7) TGIC outdoor polyester powder coat with UV protectant
- 8) Includes carriage bolts (4) and nuts (4)
- 9) Boxed individually
- 10) Customizable dimensions and colors available upon request

### Models

Model #	Height	Reach	Color Code	Weight	Box Size
72-DSP-3-04-04 (add color code)	72"	4"	-BLK = Black Wrinkle -WHI = White* -YEL = Yellow*	45 lbs.	76x15x10

Custom "RAL" colors  
\*additional lead time  
and costs may apply



### Description:

A very strong, heavy duty, pad mount, dual height pedestal (single channel) for buses, dump trucks, cement trucks, semi trucks, and other large transportation vehicles. The driver may not have to pull back his mirror when approaching a pedestal at this height.

Most often installed for automatic gate entry and exit, parking lot, and perimeter access applications. Includes a face plate with universal holes patterns, heavy duty base plate, and a sliding cover plate to hide the mounting bolts that secure the base. Whereas a competing pedestal may be made from .074" wall tube, this pedestal is made from .120" wall tube (62% more steel) and is designed to withstand all kinds of abuse.

The pedestal is built using a single 3" x 3" channel from bottom to top that allows easy wiring for both the lower and upper heads. The neck is cut and welded to form an architectural design while allowing the wiring to pass easily from the ground, through the pedestal, and into the access control devices-- making installation very convenient.

Pedestal PRO is the world's leading manufacturer of access control pedestals and supports a global network of systems integrators and security professionals.

### Related Items

Housing



Model # MC-CS-8-E

Housing



Model # Lando-CS-12x8-E

Stud Anchor Kit



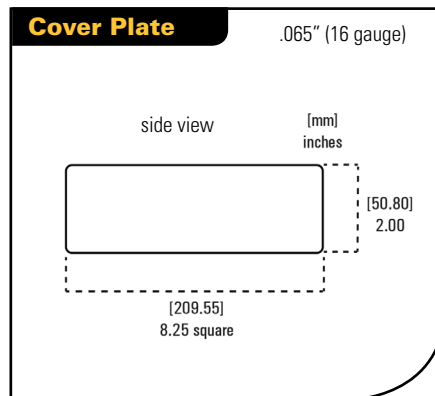
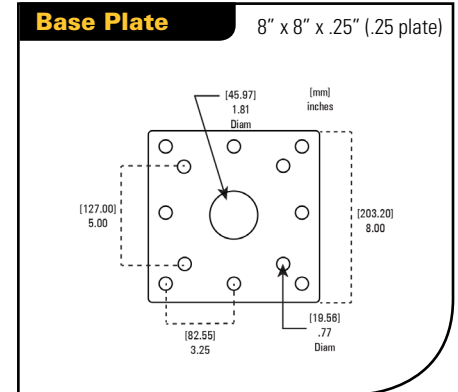
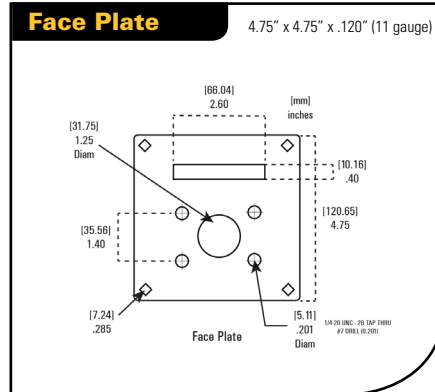
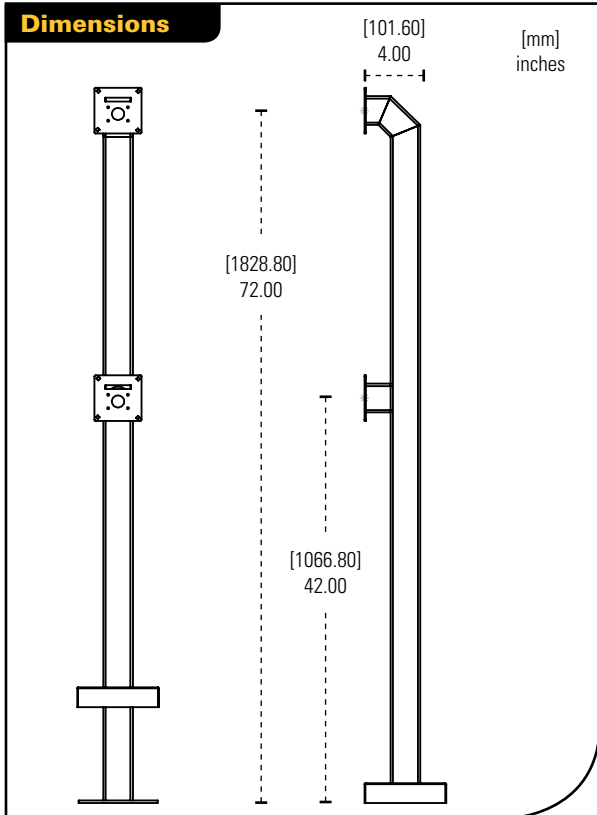
Stud Anchor Kit

L-Bolt Kit



L-Bolt Kit

# 72" DUAL PAD MOUNT' PEDESTAL



### Customize


Stock Color

- Black

Readily Available Colors\*

- White
- Safety Yellow

Custom "RAL" colors\*



Adjust height, reach, face plate, and base plate specifications to meet your needs\*  
\*additional costs and lead times may apply

## Stress Test

Wind Speed: 200 mph (321 km/h)

Wind Force: 1.3333 psi

Face Area: 263.5959 in<sup>2</sup> (each square inch receives 1.3333 psi for a total of 351.34 psi)

Max Deflection or Displacement: The top corner displaces 0.8 (etc) mm

Max Stress: 6965.5 psi

Yield Strength: 89,984.6 psi (strength at which the material bends permanently)

Interpretation: The highest recorded sustained wind is 217 mph. At 200 mph, the top of the pedestal would move .8 mm without bending permanently. In the real world, the concrete or the mounting bolts and nuts would be fail first, not to mention the electronics would blow off even sooner.

