

NOTES:

1. 1/2" ϕ MOUNTING HARDWARE IS RECOMMENDED FOR 5X5 BASEPLATE AND STAINLESS TOWER MODELS. L-BOLT-500, STUD-ANCHOR-500.
2. MATERIAL OF CONSTRUCTION IS MILD STEEL COATED IN 2-4 MILS OF GRAY COLORMATCHED POWDERCOAT.

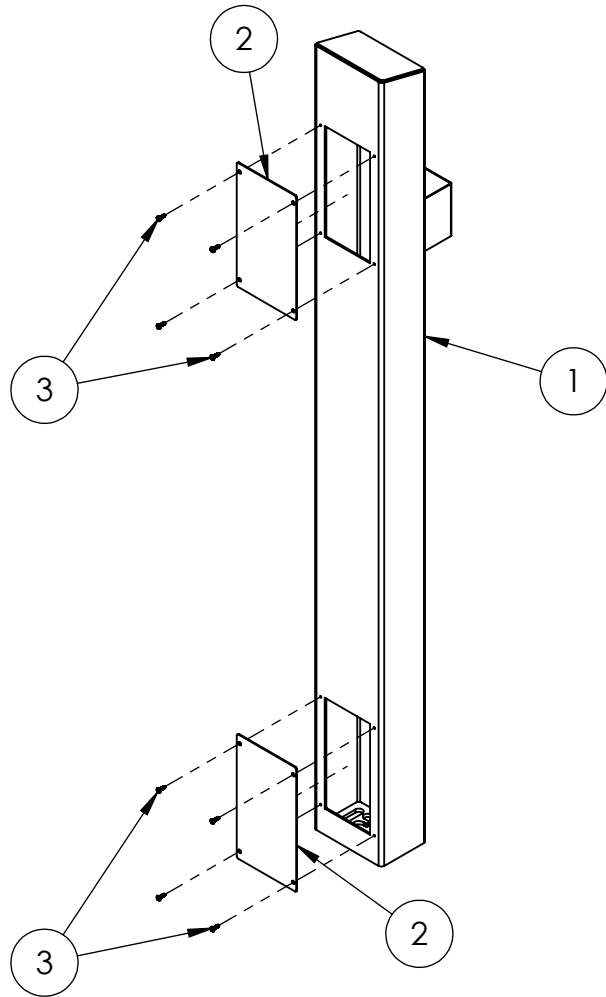
www.GooseneckStands.com
(800) 878-7829
Sales@GooseneckStands.com

UNLESS OTHERWISE SPECIFIED:
DIMENSIONS ARE IN INCHES
TOLERANCES:
FRACTIONAL $\pm 1/32$
ANGULAR: $\pm 2^\circ$
TWO PLACE DECIMAL ± 0.010
THREE PLACE DECIMAL ± 0.005
INTERPRET GEOMETRIC
TOLERANCING PER:
ASME Y14.5 -2009

| NAME | DATE |
|---------|------|
| DRAWN | |
| CHECKED | |

| TITLE: | | SIZE | PART NO. | REV |
|--------------|--|----------|-------------------|--------------|
| INSTALLATION | | A | 64TOW-EVCS-01-CRS | B |
| WEIGHT: | | NO SCALE | | SHEET 1 OF 8 |

| ITEM NO. | PART NUMBER | DESCRIPTION | QTY. |
|----------|-------------------|------------------------------------|------|
| 1 | 64TOW-EVCS-01-CRS | MILD STEEL 60" BODY | 1 |
| 2 | PLTACC-610 | MILD STEEL STND 4X8.5 ACCESS COVER | 2 |
| 3 | -- | 8-32X5/8 SS BUTTON HEAD SCREW | 8 |



NOTES:

1. SEE STANDARD PREPARATION AND COATING INSTRUCTIONS FOR COATING PROCEDURE AND COLOR
2. SEE STANDARD PACKAGING INSTRUCTIONS FOR PACKAGING PROCEDURE

www.GooseneckStands.com
(800) 878-7829
Sales@GooseneckStands.com

UNLESS OTHERWISE SPECIFIED:

DIMENSIONS ARE IN INCHES
TOLERANCES:
FRACTIONAL $\pm 1/32$
ANGULAR: $\pm 2^\circ$
TWO PLACE DECIMAL ± 0.010
THREE PLACE DECIMAL ± 0.005

INTERPRET GEOMETRIC
TOLERANCING PER:
ASME Y14.5 -2009

| | NAME | DATE |
|---------|------|------|
| DRAWN | | |
| CHECKED | | |

TITLE:
ASSEMBLY

| | | |
|----------|-------------------|--------------|
| WEIGHT: | NO SCALE | SHEET 2 OF 8 |
| SIZE | PART NO. | REV |
| A | 64TOW-EVCS-01-CRS | B |