

NOTES:

1. 1/2" ϕ MOUNTING HARDWARE IS RECOMMENDED FOR 5X5 BASEPLATE AND STAINLESS TOWER MODELS. L-BOLT-500, STUD-ANCHOR-500.
2. MATERIAL OF CONSTRUCTION IS MILD STEEL COATED IN 2-4 MILS OF GRAY COLORMATCHED POWDERCOAT.

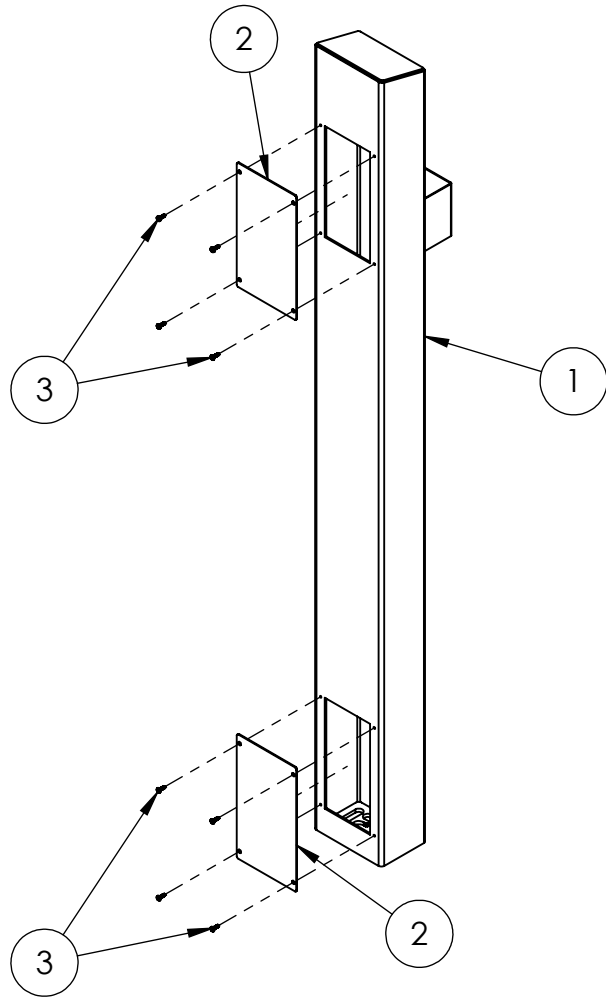
www.GooseneckStands.com
 (800) 878-7829
 Sales@GooseneckStands.com

UNLESS OTHERWISE SPECIFIED:
 DIMENSIONS ARE IN INCHES
 TOLERANCES:
 FRACTIONAL $\pm 1/32$
 ANGULAR: $\pm 2^\circ$
 TWO PLACE DECIMAL ± 0.010
 THREE PLACE DECIMAL ± 0.005
 INTERPRET GEOMETRIC TOLERANCING PER: ASME Y14.5 -2009

NAME	DATE
DRAWN	
CHECKED	

TITLE: INSTALLATION		SIZE A	PART NO. 64TOW-EVCS-01-CRS	REV B
WEIGHT:		NO SCALE		SHEET 1 OF 8

ITEM NO.	PART NUMBER	DESCRIPTION	QTY.
1	64TOW-EVCS-01-CRS	MILD STEEL 60" BODY	1
2	PLTACC-610	MILD STEEL STND 4X8.5 ACCESS COVER	2
3	--	8-32X5/8 SS BUTTON HEAD SCREW	8



NOTES:

1. SEE STANDARD PREPARATION AND COATING INSTRUCTIONS FOR COATING PROCEDURE AND COLOR
2. SEE STANDARD PACKAGING INSTRUCTIONS FOR PACKAGING PROCEDURE

www.GooseneckStands.com
(800) 878-7829
Sales@GooseneckStands.com

UNLESS OTHERWISE SPECIFIED:

DIMENSIONS ARE IN INCHES
TOLERANCES:
FRACTIONAL $\pm 1/32$
ANGULAR: $\pm 2^\circ$
TWO PLACE DECIMAL ± 0.010
THREE PLACE DECIMAL ± 0.005

INTERPRET GEOMETRIC
TOLERANCING PER:
ASME Y14.5 -2009

	NAME	DATE
DRAWN		
CHECKED		

TITLE:
ASSEMBLY

WEIGHT:	SIZE A	PART NO. 64TOW-EVCS-01-CRS	REV B
	NO SCALE	SHEET 2 OF 8	