

NOTES:
 1. MATERIAL OF CONSTRUCTION IS BLACK HDPE.



UNLESS OTHERWISE SPECIFIED:

DIMENSIONS ARE IN INCHES
 TOLERANCES:
 FRACTIONAL $\pm 1/32$
 ANGULAR: $\pm 2^\circ$
 TWO PLACE DECIMAL ± 0.010
 THREE PLACE DECIMAL ± 0.005

INTERPRET GEOMETRIC
 TOLERANCING PER:
 ASME Y14.5 -2009

NAME	DATE
DRAWN	
CHECKED	

PROPRIETARY AND CONFIDENTIAL
 THE INFORMATION CONTAINED IN THIS
 DRAWING IS THE SOLE PROPERTY OF
 PEDESTALPRO LLC. ANY REPRODUCTION
 IN PART OR AS A WHOLE WITHOUT THE
 WRITTEN PERMISSION OF PEDESTALPRO LLC
 IS PROHIBITED.

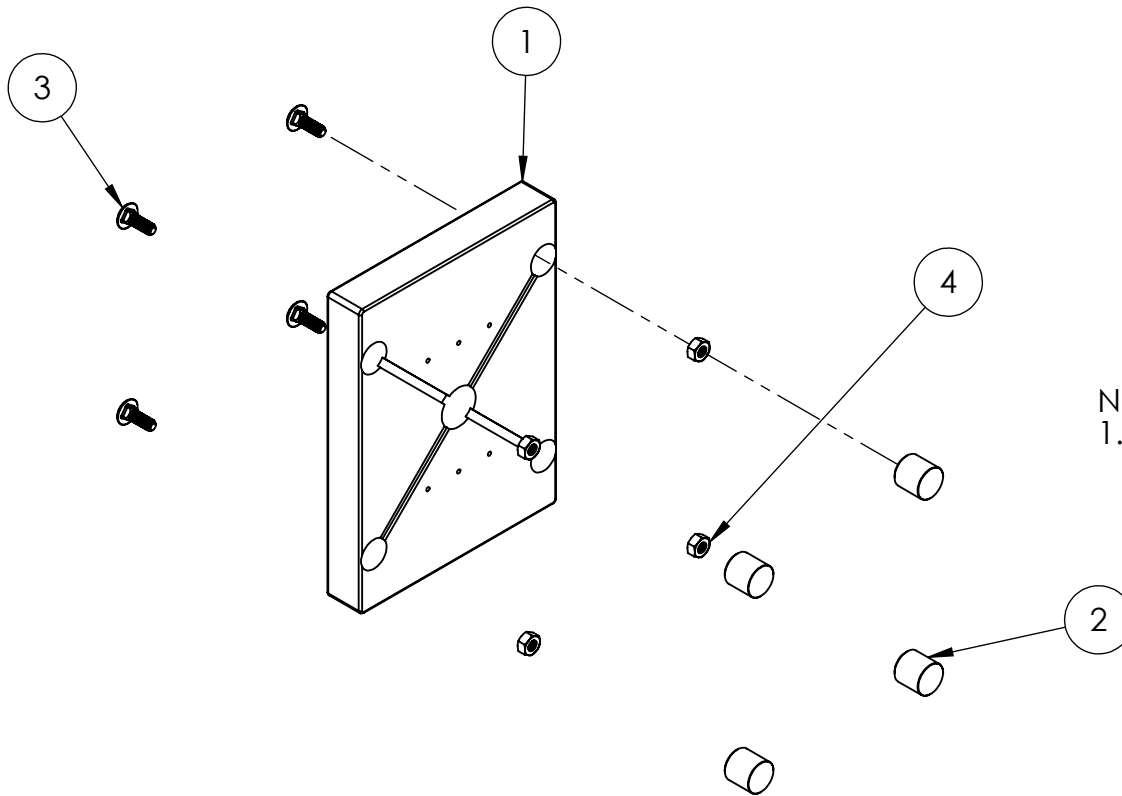
TITLE:
INSTALLATION

Thursday, June 9, 2022
 11:30:59 AM

WEIGHT: 1.497

SIZE	PART NO.	REV
A	57PLA-PRO-001-HDP	A
NO SCALE		SHEET 1 OF 4

ITEM NO.	PART NUMBER	DESCRIPTION	QTY.
1	57PLA-PRO-001-HDP	SINGLE/DOUBLE GANG MOUNTING PLATE	1
2	57PLA-PRO-001-HDP PLUG	HOLE PLUG	4
3	--	1/4-20 X .75 ZINC PLATED CARRIAGE BOLT	4
4	--	1/4-20 ZINC PLATED HEX NUT	4



NOTES:
1. PACKAGE BOLT KIT WITH MOUNTING PLATE.



UNLESS OTHERWISE SPECIFIED:

DIMENSIONS ARE IN INCHES
TOLERANCES:
FRACTIONAL $\pm 1/32$
ANGULAR: $\pm 2^\circ$
TWO PLACE DECIMAL ± 0.010
THREE PLACE DECIMAL ± 0.005

INTERPRET GEOMETRIC
TOLERANCING PER:
ASME Y14.5 -2009

NAME	DATE
DRAWN	
CHECKED	

PROPRIETARY AND CONFIDENTIAL
THE INFORMATION CONTAINED IN THIS
DRAWING IS THE SOLE PROPERTY OF
PEDESTALPRO LLC. ANY REPRODUCTION
IN PART OR AS A WHOLE WITHOUT THE
WRITTEN PERMISSION OF PEDESTALPRO LLC
IS PROHIBITED.

TITLE:
ASSEMBLY

Thursday, June 9, 2022
11:30:59 AM

WEIGHT: 1.497

SIZE A	PART NO. 57PLA-PRO-001-HDP
------------------	-------------------------------

REV A

NO SCALE

SHEET 2 OF 4