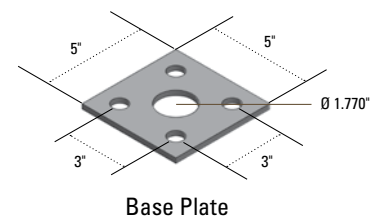
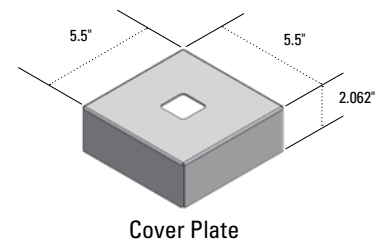
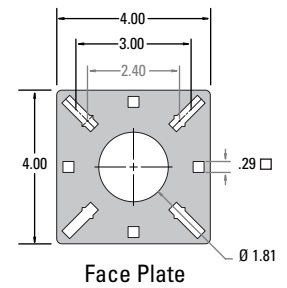
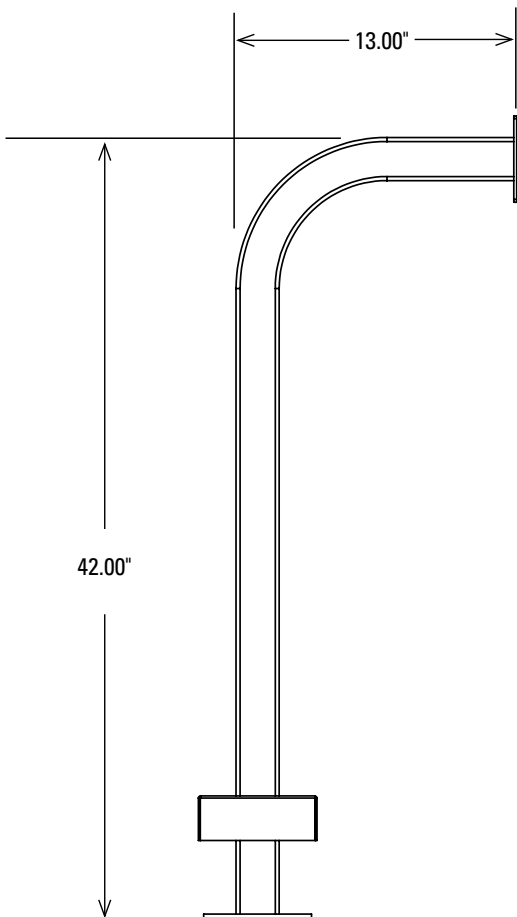
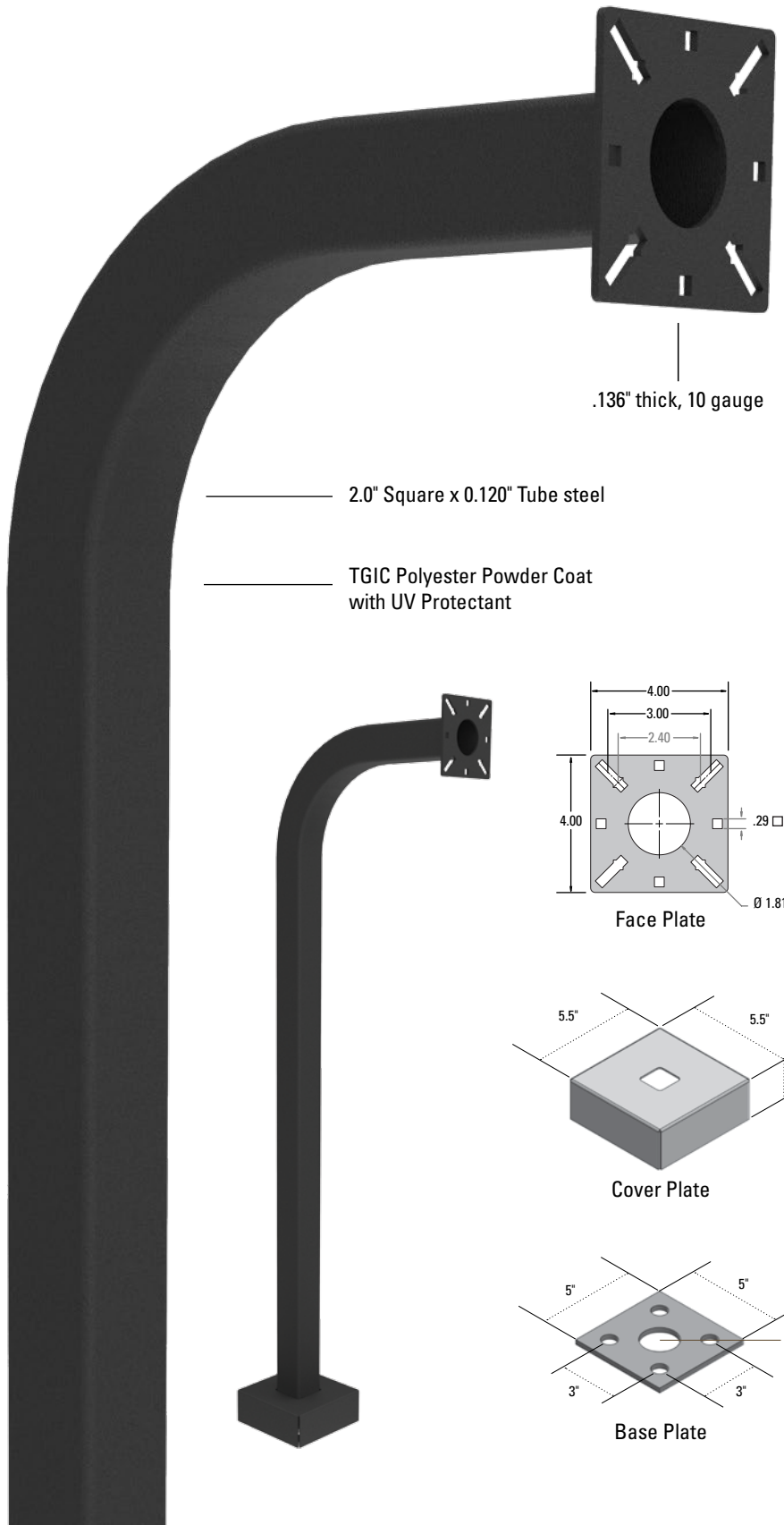


DATA SHEET

The 42-9C is the most popular pedestal amongst security installers. With thousands of installations around the world it has been widely used by numerous access control professionals who have banked on its universal dimensions to accommodate pedestrians and cars for just about any application.

- ▣ Generally in stock
- ▣ Custom heights and colors available — request a price quote



Stress Tests

| | |
|------------------------------------|---|
| Wind Speed | 157 mph (Category 5 hurricane) |
| Wind Force | 0.54 psi |
| Maximum Deflection or Displacement | 0.04" at top edge |
| Maximum Stress | 12,791.72 psi |
| Yield Strength | 31,994.5 psi (strength at which the material bends permanently) |

Interpretation: A "Category 5" hurricane wind begins at 157mph sustained. At this speed, the pedestal will flex slightly, allowing it to move about 0.04" at most. However, the stress encountered is not high enough to cause permanent bending. In the real world, the concrete or mounting bolts and nuts would fail first, not to mention the electronics would blow off even sooner.

Unique Features

| | |
|-----------------------|--|
| Height: | 42" |
| Finish: | Black Wrinkle TGIC Polyester Powdercoat — with UV Protectant |
| Faceplate: | 4" x 4" Universal, .136 CRS (10 Gauge) |
| Baseplate: | 5" x 5" Universal, .25 CRS |
| Tube: | 2" x 2" Square, .120 Wall (11 Gauge) |
| Neck: | 13", 90° Bend |
| Material: | Heavy Gauge Steel |
| Box Size: | 18 lbs - Box Size: 44 x 12 x 6 |
| Hardware: | Included: Carriage Bolts & Nuts |
| Color Options | ■ |
| Customization Options | Custom heights and cutouts available |

