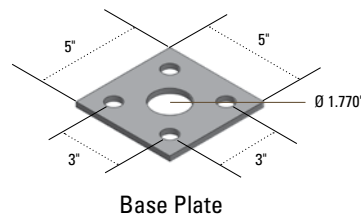
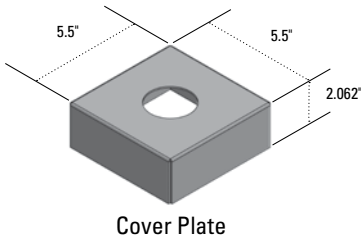
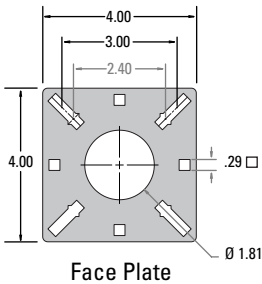
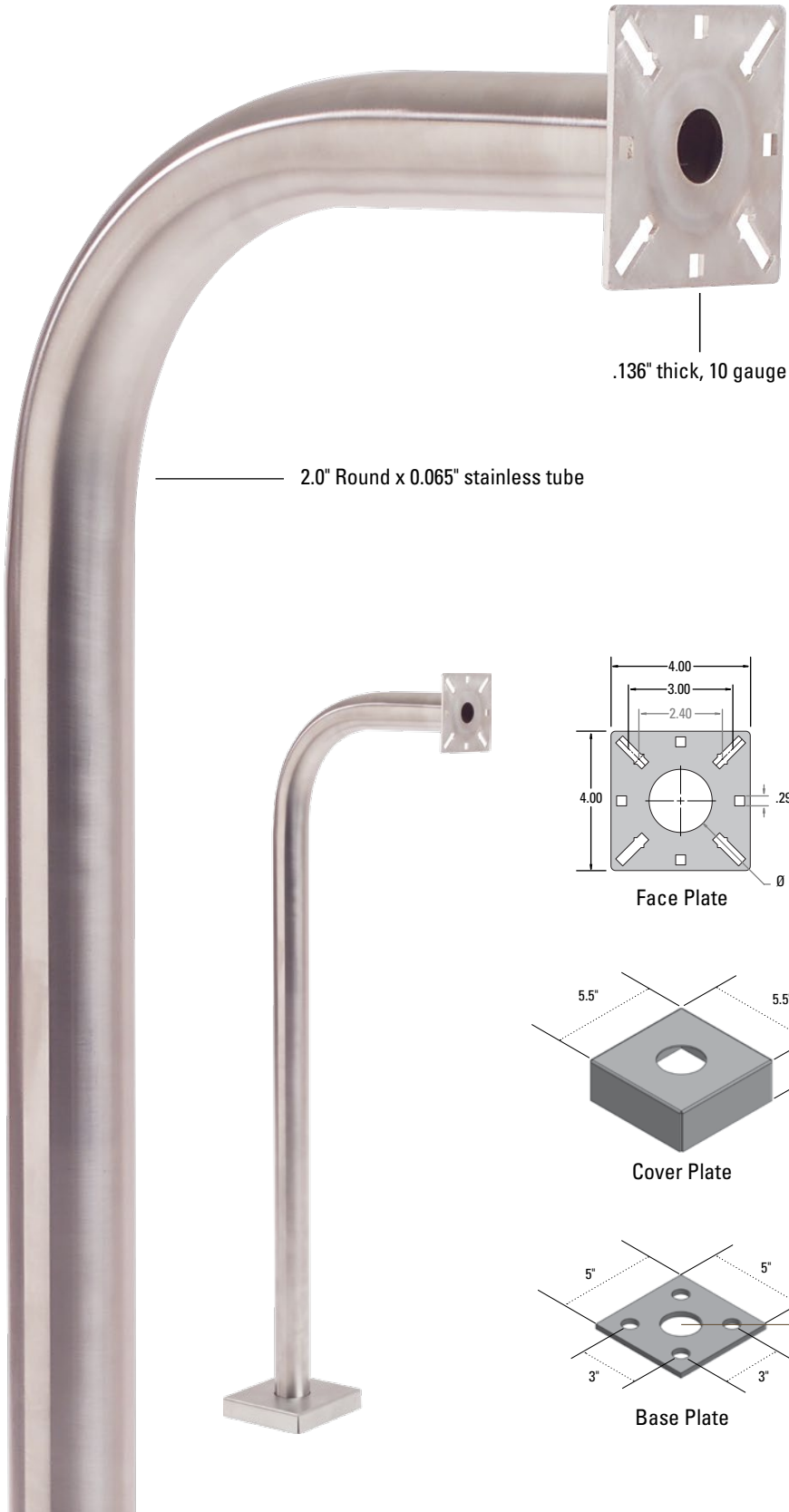
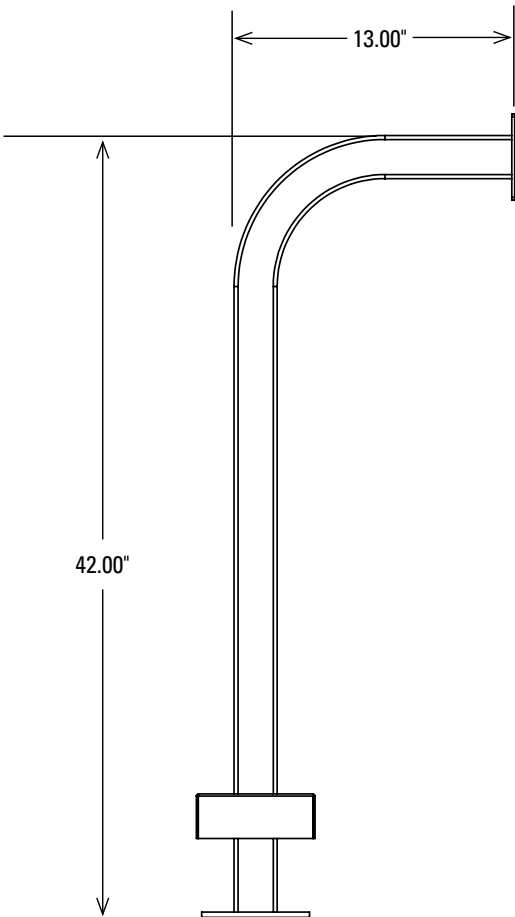


DATA SHEET

A beautiful pedestal specially made for coastal and other wet regions where water, salt and other greater-than-normal corrosive effects are possible. The neck has a smooth, non-concave curvature to maintain its 2" dimension all the way through the 90 degree bend. Finished with a 304 Stainless brushed look that often matches the encasements of many electronics.

- ▣ Generally in stock
- ▣ Custom colors available — request a price quote



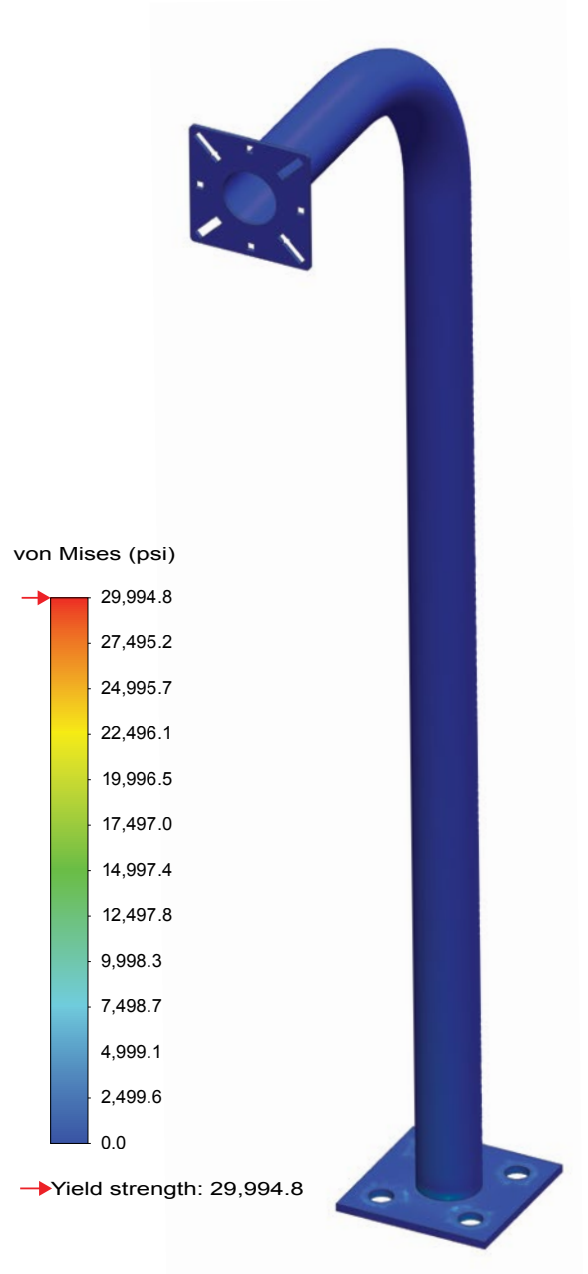
## Stress Tests

Wind Speed	157 mph (Category 5 hurricane)
Wind Force	0.54 psi
Maximum Deflection or Displacement	0.043" at top edge
Maximum Stress	5,765.77 psi
Yield Strength	29,994.8 psi (strength at which the material bends permanently)

Interpretation: A "Category 5" hurricane wind begins at 157mph sustained. At this speed, the pedestal will flex slightly, allowing it to move about 0.043" at most. However, the stress encountered is not high enough to cause permanent bending. In the real world, the concrete or mounting bolts and nuts would fail first, not to mention the electronics would blow off even sooner.

## Unique Features

Height:	42"
Finish:	Brushed
Faceplate:	4" x 4" Universal, .136 Stainless
Baseplate:	5" x 5" Universal, .25 Stainless
Tube:	2" Round, .065 Wall
Neck:	13", 90° Bend
Material:	#304 Stainless Steel
Box Size:	12 lbs - Box Size: 44 x 12 x 6
Hardware:	Included: Carriage Bolts & Nuts
Color Options	<input type="checkbox"/>
Customization Options	Custom colors available



## Associated Products



MC-SS-8x8-E  
Housing



Lando-SS-10x8-E  
Hood



ADA-Stainless-  
Tower



FIPS-Stainless-Tower  
(uses 2x8 tube)