

## 42" ALUMINUM 9C GOOSENECK PEDESTAL



### PRO Features:

- 1) Universal face plate, 4" x 4" x .120" (11 gauge)
- 2) Universal base plate, 5" x 5" x .25" (1/4" plate)
- 3) Cover plate, 5.25" x 5.25" x 2.25" (16 gauge)
- 4) Heavy duty square tube - 2" x .155" wall
- 5) Mandrel system bend radius 6" on center (no neck collapse)
- 6) Black powder coat finish
- 7) Rust protection
- 8) Includes carriage bolts (4) and nuts (4)
- 9) Boxed individually
- 10) Customizable dimensions and colors available upon request

### Models

| Model #               | Height | Reach | Color Code*  | Weight  | Box Size |
|-----------------------|--------|-------|--|---------|----------|
| <b>42-9C-ALUM-BLK</b> | 42"    | 12"   | -ANO = "Anodized" Aluminum Powder Coat<br>-BLK = Black Powder Coat | 11 lbs. | 45x12x7  |

*\* Also available in carbon steel or stainless construction. Custom colors available (with additional lead time)*

### Description:

A beautiful aluminum pedestal for cars and pedestrians. Most often installed for automatic gate entry and exit, parking lot, door, lobby, and ingress/egress applications. Whereas a competing pedestal may be made from .074" wall tube, this pedestal is made from .155" wall tube -- twice the aluminum.

Aluminum pedestals are sought mainly for rust protection; however, aluminum is a soft material and is more easily bent and damaged than steel or stainless steel.

The neck is cut and welded to form an architectural design while allowing the wiring to pass easily from the ground, through the pedestal, and into the access control device-- making installation very convenient.

Furthermore, this pedestal is first bead-blasted to eliminate contaminants and blemishes, then powder coated with an outdoor rated TGIC polyester finish with UV protectant to help promote longevity in any weather condition.

Pedestal PRO is the world's leading manufacturer of access control pedestals and supports a global network of systems integrators and security professionals.

### Related Items

Housing



Model # MC-CS-8-E

Housing



Model # Lando-CS-12x8-E

Stud Anchor Kit



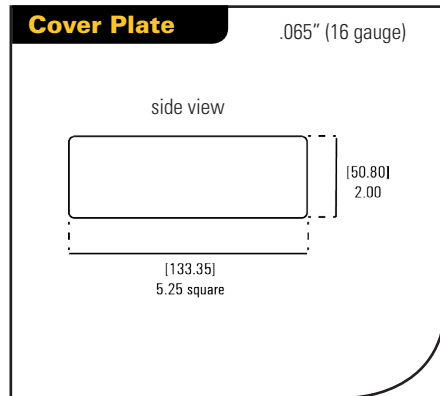
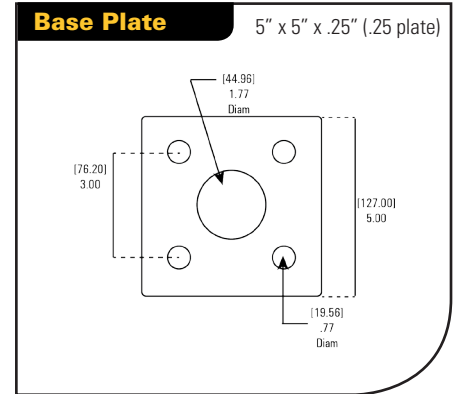
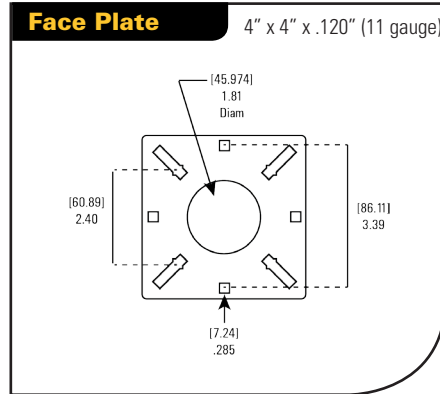
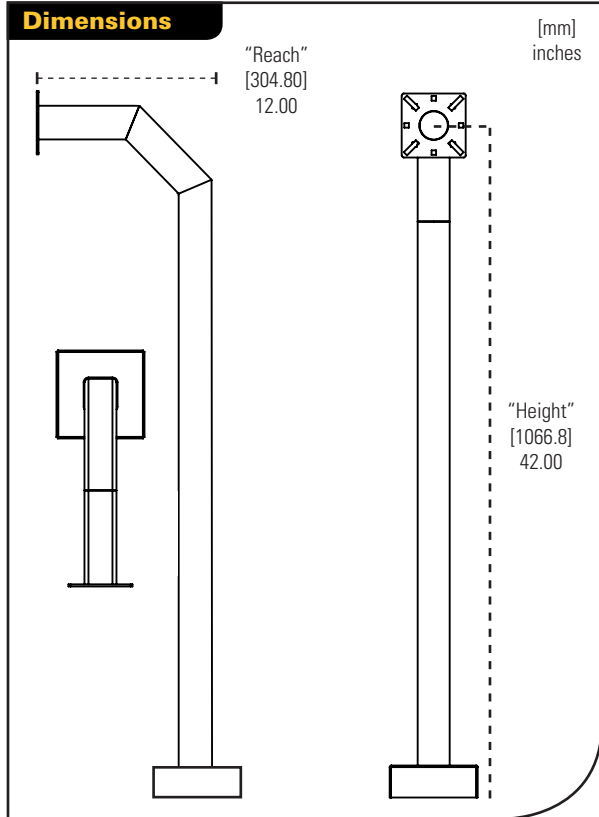
Stud Anchor Kit

L-Bolt Kit



L-Bolt Kit

# 42-9C-ALUM-BLK PEDESTAL



### Customize

**Stok Color**

- Anodized Aluminum
- Black

**Readily Available Colors\***

- White
- Safety Yellow

Custom "RAL" colors\*

Adjust height, reach, face plate, and base plate specifications to meet your needs\*

\*additional cost and lead times may apply

## Stress Test

Wind Speed: 200 mph (321 km/h)  
 Wind Force: 1.3333 psi  
 Face Area: 263.5959 in<sup>2</sup> (each square inch receives 1.3333 psi for a total of 351.34 psi)  
 Max Deflection or Displacement: The top corner displaces 0.8 (etc) mm  
 Max Stress: 6965.5 psi  
 Yield Strength: 89,984.6 psi (strength at which the material bends permanently)  
 Interpretation: The highest recorded sustained wind is 217 mph. At 200 mph, the top of the pedestal would move .8 mm without bending permanently. In the real world, the concrete or the mounting bolts and nuts would be fail first, not to mention the electronics would blow off even sooner.

