

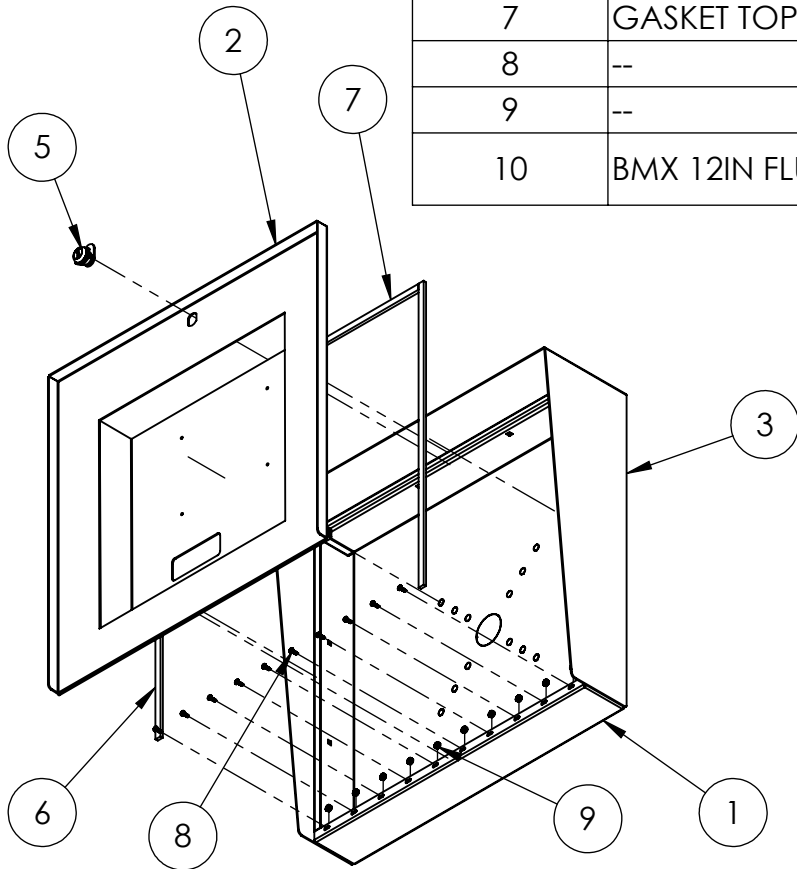
- NOTES:
1. MATERIAL OF CONSTRUCTION IS MILD STEEL.
  2. 2-4 MILS BLACK WRINKLE POWDER COAT.

AVAILABLE CUTOUT AREA

UNLESS OTHERWISE SPECIFIED: ★	NAME	DATE
DIMENSIONS ARE IN INCHES	DRAWN	
TOLERANCES:	CHECKED	
FRACTIONAL ± 1/32		
ANGULAR: ± 2°		
TWO PLACE DECIMAL ± 0.010		
THREE PLACE DECIMAL ± 0.005		
INTERPRET GEOMETRIC TOLERANCING PER: ASME Y14.5 -2009		

TITLE:		
INSTALLATION		
SIZE	PART NO.	REV
<b>A</b>	2020HOU-BUT-01-CRS	<b>A</b>
WEIGHT: 32.178	NO SCALE	SHEET 1 OF 7

ITEM NO.	PART NUMBER	DESCRIPTION	QTY.
1	2020HOU-BUT-01-CRS ENCLOSURE	ENCLOSURE WELDMENT	1
2	2020HOU-BUT-01-CRS DOOR	DOOR WELDMENT	1
3	2020HOU-BUT-01-CRS HOOD	HOOD	1
4	HINGE	PIANO HINGE	1
5	CAM LOCK	STRAIGHT CAM	1
6	GASKET SIDE	3/8" X .150 WEATHERSTRIPPING	2
7	GASKET TOP	3/8" X .150 WEATHERSTRIPPING	1
8	--	6-32 PAN HEAD SCREW	10
9	--	6-32 EXTERNAL TOOTH LOCK NUT	10
10	BMX 12IN FLUSH BRACKET		1



NOTES:

1. SEE STANDARD PREPARATION AND COATING INSTRUCTIONS FOR COATING PROCEDURE AND COLOR.
2. SEE STANDARD PACKAGING INSTRUCTIONS FOR PACKAGING PROCEDURE.

UNLESS OTHERWISE SPECIFIED:

DIMENSIONS ARE IN INCHES  
TOLERANCES:  
FRACTIONAL  $\pm 1/32$   
ANGULAR:  $\pm 2^\circ$   
TWO PLACE DECIMAL  $\pm 0.010$   
THREE PLACE DECIMAL  $\pm 0.005$

INTERPRET GEOMETRIC  
TOLERANCING PER:  
ASME Y14.5 -2009

NAME	DATE
DRAWN	
CHECKED	

TITLE:  
**ASSEMBLY**

SIZE <b>A</b>	PART NO. 2020HOU-BUT-01-CRS	REV <b>A</b>
WEIGHT: 32.178	NO SCALE	SHEET 2 OF 7