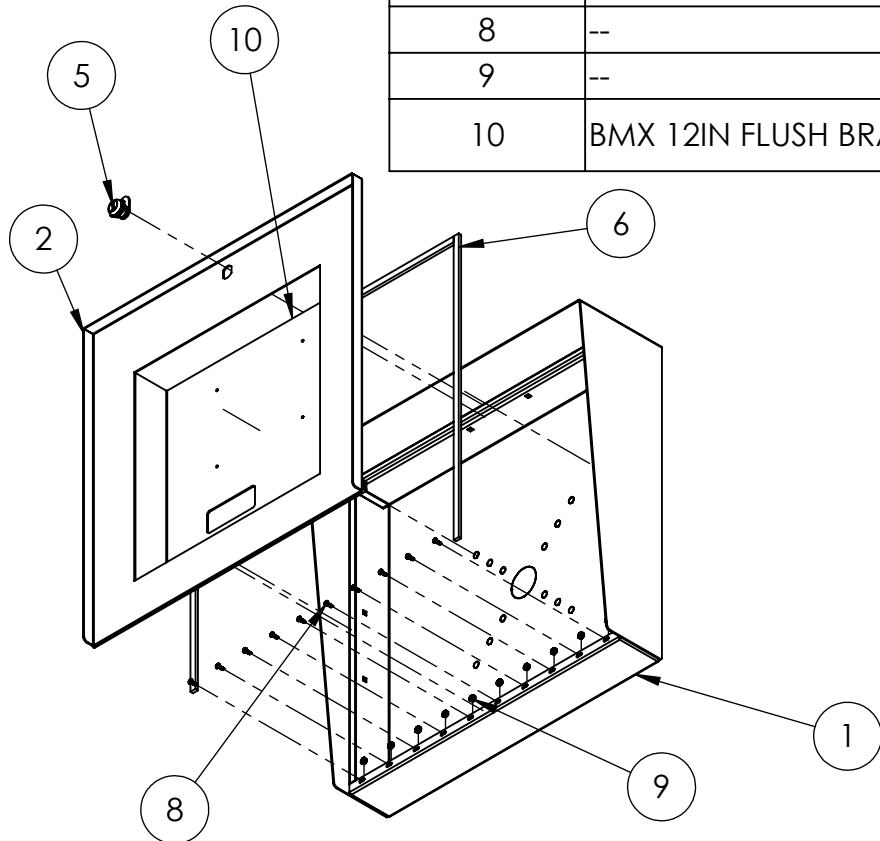


UNLESS OTHERWISE SPECIFIED: ★	NAME	DATE
DIMENSIONS ARE IN INCHES	DRAWN	
TOLERANCES:	CHECKED	
FRACTIONAL: $\pm 1/32$		
ANGULAR: $\pm 2^\circ$		
TWO PLACE DECIMAL ± 0.010		
THREE PLACE DECIMAL ± 0.005		
INTERPRET GEOMETRIC TOLERANCING PER: ASME Y14.5 -2009		

TITLE: INSTALLATION		
SIZE A	PART NO. 2020HOU-BUT-01-304	REV A
WEIGHT: 33.875	NO SCALE	SHEET 1 OF 7

ITEM NO.	PART NUMBER	DESCRIPTION	QTY.
1	2020HOU-BUT-01-304 ENCLOSURE	ENCLOSURE WELDMENT	1
2	2020HOU-BUT-01-304 DOOR	DOOR WELDMENT	1
3	2020HOU-BUT-01-304 HOOD	HOOD	1
4	HINGE	PIANO HINGE	1
5	CAM LOCK	STRAIGHT CAM	1
6	GASKET SIDE	3/8" X .150 WEATHERSTRIPPING	2
7	GASKET TOP	3/8" X .150 WEATHERSTRIPPING	1
8	--	6-32 PAN HEAD SCREW	10
9	--	6-32 EXTERNAL TOOTH LOCK NUT	10
10	BMX 12IN FLUSH BRACKET		1



NOTES:

1. SEE STANDARD PREPARATION AND COATING INSTRUCTIONS FOR COATING PROCEDURE AND COLOR.
2. SEE STANDARD PACKAGING INSTRUCTIONS FOR PACKAGING PROCEDURE.

UNLESS OTHERWISE SPECIFIED:

DIMENSIONS ARE IN INCHES
TOLERANCES:
FRACTIONAL ± 1/32
ANGULAR: ± 2°
TWO PLACE DECIMAL ± 0.010
THREE PLACE DECIMAL ± 0.005

INTERPRET GEOMETRIC
TOLERANCING PER:
ASME Y14.5 -2009

NAME	DATE
DRAWN	
CHECKED	

TITLE:
ASSEMBLY

SIZE A	PART NO. 2020HOU-BUT-01-304	REV A
WEIGHT: 33.875	NO SCALE	SHEET 2 OF 7