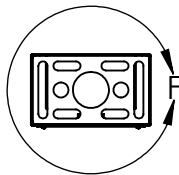
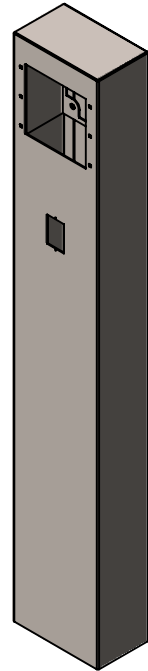
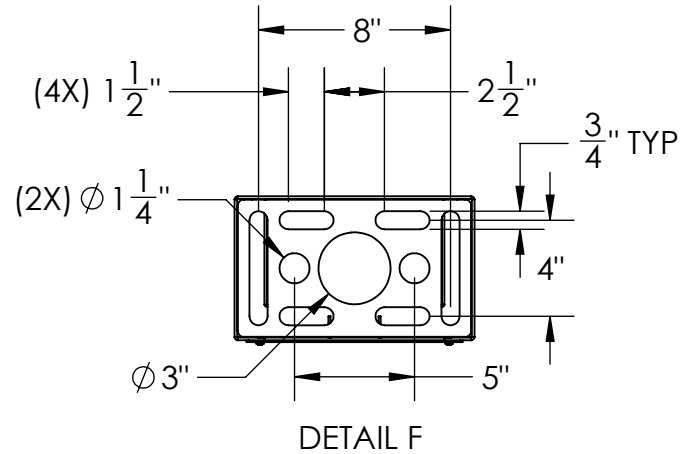
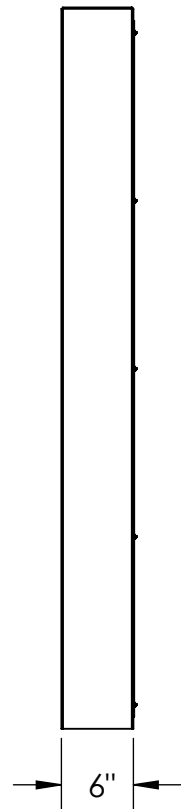
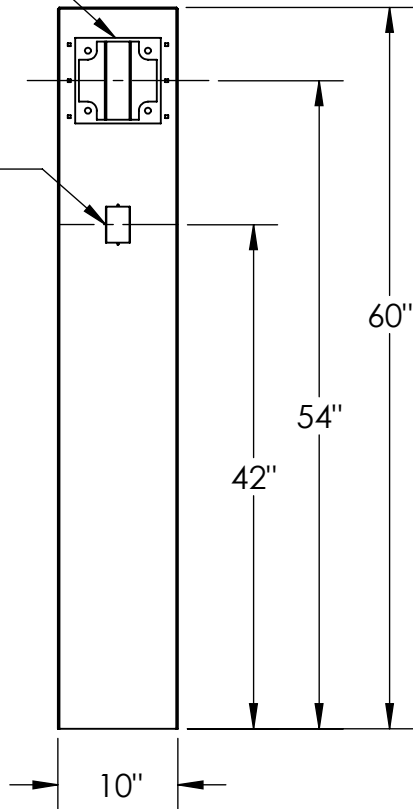


KNOX BOX CUTOUT

SINGLE GANG CUTOUT



NOTES:

1. MOUNTS AN 4400 SERIES KNOX BOX UNIT.
2. MATERIAL OF CONSTRUCTION IS 304SS BRUSHED #4 FINISH.

UNLESS OTHERWISE SPECIFIED:

DIMENSIONS ARE IN INCHES  
 TOLERANCES:  
 FRACTIONAL  $\pm 1/32$   
 ANGULAR:  $\pm 2^\circ$   
 TWO PLACE DECIMAL  $\pm 0.010$   
 THREE PLACE DECIMAL  $\pm 0.005$

INTERPRET GEOMETRIC  
 TOLERANCING PER:  
 ASME Y14.5 -2009

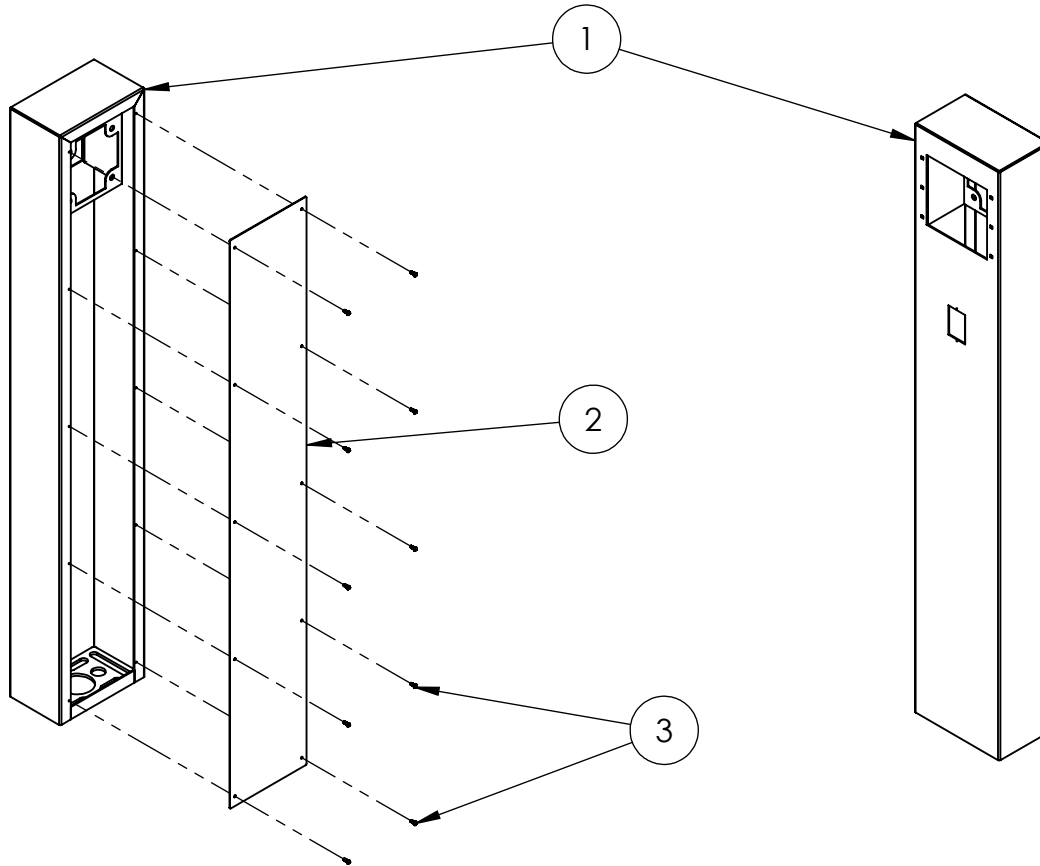
NAME	DATE
DRAWN	
CHECKED	

TITLE:

INSTALLATION

WEIGHT:	NO SCALE	SHEET 1 OF 9
SIZE	PART NO.	REV
<b>A</b>	106TOW-PRO-001-304	<b>0</b>

ITEM NO.	PART NUMBER	DESCRIPTION	QTY.
1	106TOW-PRO-001-304 MAIN BODY	304SS TOWER WELDMENT	1
2	106TOW-PRO-001-304 ACCESS DOOR	304SS ACCESS DOOR	1
3	---	8-32 SS BUTTON HEAD SCREW	10



UNLESS OTHERWISE SPECIFIED:

DIMENSIONS ARE IN INCHES  
TOLERANCES:  
FRACTIONAL  $\pm 1/32$   
ANGULAR:  $\pm 2^\circ$   
TWO PLACE DECIMAL  $\pm 0.010$   
THREE PLACE DECIMAL  $\pm 0.005$

INTERPRET GEOMETRIC  
TOLERANCING PER:  
ASME Y14.5 -2009

	NAME	DATE
DRAWN		
CHECKED		

TITLE:

106TOW-PRO-001-304

	SIZE <b>A</b>	PART NO. ASSEMBLY	REV <b>0</b>
WEIGHT:	NO SCALE	SHEET 2 OF 9	