

# SPEC ANY TECH. YOUR FIT.

## Hoods

PRO Hoods™ are simple shrouds that protect access control devices from the effects of mother nature (rain, sleet, snow, sun, etc.). Their depth and tapered sides also provide a degree of privacy (such as entering a code on a keypad) from onlookers nearby. With such a low cost, a hood is an inexpensive way for security consultants and system integrators to add an additional layer of protection in your physical security plan.

### PRODUCT FEATURES

- Specify any access control device(s)
- Steel or stainless steel construction
- Black powder coat or brushed #4 finish
- Standard 3.5"D overhang, tapers down to 1.75"D
- Standard 4.5"W – 14"W available
- Standard 6"H – 14"H available
- Knockouts for easy installation
- Easily customizable
- Free custom CAD designs in 24 hours



### Areas of Use

- Door Ingress/Egress
- Gate Ingress/Egress

### QUICK FEATURE COMPARISON

	Lockable Door	Qty of Devices	Mounting Style	Door Panel	Wiring	Customization
<b>HOODS</b>	No	1	Surface only	None	Single Wire Pass	Unlimited dimensions
<b>HOUSING</b>	Yes	1-4	Surface/Flush*	Removable w/ Stainless hinge	Consolidate in Backbox	Factory Cutouts Available / Unlimited Dimensions

\*Flush mount requires "cutouts" per device

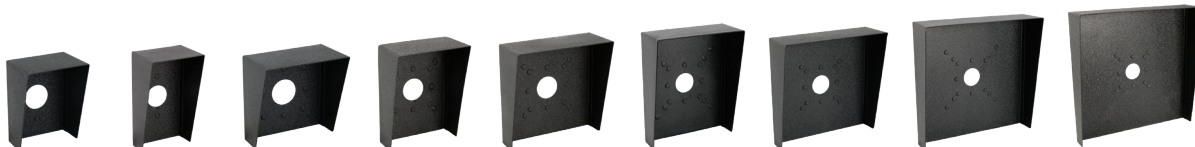
## Universal Hoods

### STAINLESS STEEL



HOOD-SS-04.5x6    HOOD-SS-04.5x8    HOOD-SS-06x6

### CARBON STEEL



HOOD-CS-04.5x6    HOOD-CS-04.5x8    HOOD-CS-06x6    HOOD-CS-06x8    HOOD-CS-08x8    HOOD-CS-08x10    HOOD-CS-10x10    HOOD-CS-12x12    HOOD-CS-14x14

## Device-Specific Hoods

### STAINLESS STEEL



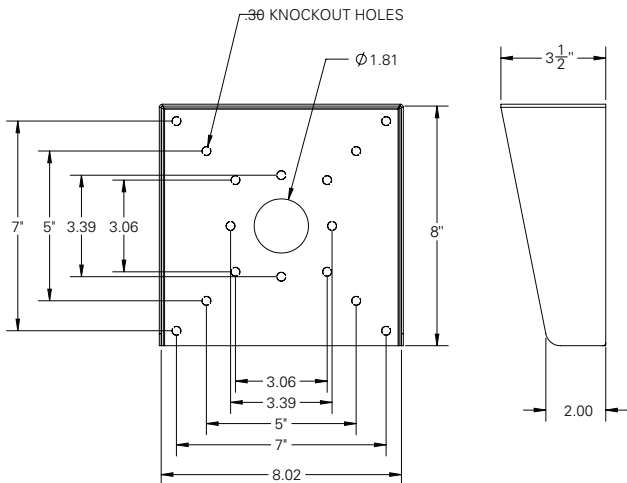
913HOO-BUT-001-304    1116HOO-BUT-001-304    1116HOO-BUT-002-304    1512HOO-BUT-001-304    1614HOO-BUT-001-304    1614HOO-BUT-002-304    2419HOO-BUT-001-304

### CARBON STEEL

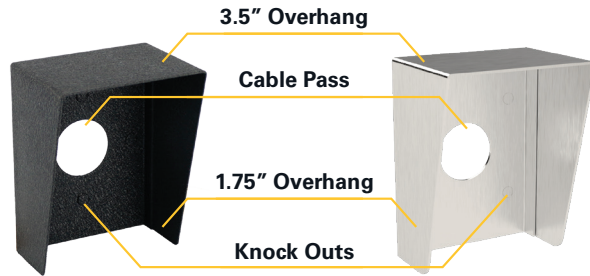


410HOO-OPEN-01-CRS    410HOO-OPEN-02-CRS

## Technical Specs



## Key Features



Build your own hood with additional features:



■ Exact Fit ■ No Min Qtys Required

## Part Numbers

Universal Hoods	Hgt	Wdth	Dpth	Wgt	Material	Finish	Description	Designed for OEM/Brand
HOOD-CS-04.5x6	6"	4.5"	3.5"	3 lbs	Carbon Stl	Blck Wrinkle Pwdrcoat	Hood, Portrait, 16 ga	Universal
HOOD-CS-04.5x8	8"	4.5"	3.5"	3 lbs	Carbon Stl	Blck Wrinkle Pwdrcoat	Hood, Portrait, 16 ga	Universal
HOOD-CS-06x6	6"	6"	3.5"	4 lbs	Carbon Stl	Blck Wrinkle Pwdrcoat	Hood, Square, 16 ga	Universal
HOOD-CS-06x8	8"	6"	3.5"	5 lbs	Carbon Stl	Blck Wrinkle Pwdrcoat	Hood, Portrait, 16 ga	Universal
HOOD-CS-08x8	8"	8"	3.5"	6 lbs	Carbon Stl	Blck Wrinkle Pwdrcoat	Hood, Square, 16 ga	Universal
HOOD-CS-08x10	10"	8"	3.5"	7 lbs	Carbon Stl	Blck Wrinkle Pwdrcoat	Hood, Portrait, 16 ga	Universal
HOOD-CS-10x10	10"	10"	3.5"	8 lbs	Carbon Stl	Blck Wrinkle Pwdrcoat	Hood, Square, 16 ga	Universal
HOOD-CS-12x12	12"	12"	3.5"	9 lbs	Carbon Stl	Blck Wrinkle Pwdrcoat	Hood, Square, 16 ga	Universal
HOOD-CS-14x14	14"	14"	3.5"	10 lbs	Carbon Stl	Blck Wrinkle Pwdrcoat	Hood, Square, 16 ga	Universal
HOOD-SS-4.5x6	6"	4.5"	3.5"	3 lbs	304 Stainless	Brushed #4	Hood, Portrait, 16 ga	Universal
HOOD-SS-4.5x8	8"	4.5"	3.5"	3 lbs	304 Stainless	Brushed #4	Hood, Portrait, 16 ga	Universal
HOOD-SS-6x6	6"	6"	3.5"	4 lbs	304 Stainless	Brushed #4	Hood, Square, 16 ga	Universal

Device-Specific Hoods	Hgt	Wdth	Dpth	Wgt	Material	Finish	Description	Designed for OEM/Brand
913HOO-BUT-001-304	13"	9"	6"	12 lbs	304 Stainless	Brushed #4	Hood, Portrait, 16 ga	ButterflyMX 7" Surface
1116HOO-BUT-001-304	16"	11.5"	3"	10 lbs	304 Stainless	Brushed #4	Hood, Portrait, 16 ga	ButterflyMX 7" Surface
1116HOO-BUT-002-304	16"	11.5"	3"	8 lbs	304 Stainless	Brushed #4	Hood, Portrait, 16 ga	ButterflyMX 7" Flush
1512HOO-BUT-001-304	12.5"	15"	6"	12 lbs	304 Stainless	Brushed #4	Hood, Landscape, 16 ga	ButterflyMX 11.6" Surface
1614HOO-BUT-001-304	14"	16"	3"	12 lbs	304 Stainless	Brushed #4	Hood, Landscape, 16 ga	ButterflyMX 11.6" Surface
1614HOO-BUT-002-304	14"	16"	3"	10 lbs	304 Stainless	Brushed #4	Hood, Landscape, 16 ga	ButterflyMX 11.6" Flush
2419HOO-BUT-001-304	19"	23.5"	3"	14 lbs	304 Stainless	Brushed #4	Hood, Landscape, 16 ga	ButterflyMX 21" Surface
410HOO-OPEN-01-CRS	10"	4.5"	2.75"	5 lbs	Carbon Stl	Blck Wrinkle Pwdrcoat	Hood, Portrait, 16 ga	OpenPath Truth
410HOO-OPEN-02-CRS	8.5"	4"	2.75"	5 lbs	Carbon Stl	Blck Wrinkle Pwdrcoat	Hood, Portrait, 16 ga	OpenPath Light

## Hood Options

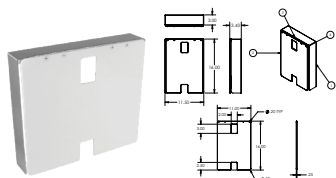
### TECH INTEGRATION

Integrate intercoms, keypads, card readers, cameras and more from our vast device library representing over 35 OEM brands and 400+ devices. Our engineers are ready to incorporate your tech into our cabinets. We also offer in-house cooling fans, heaters, LED lighting, and weather shrouds solutions to meet all your tech integration needs.



### FREE CUSTOM CAD

CAD engineers are free to use and on-call to create drawings specific to your project requirements. CAD designs are created within 24 hours.



### EXPEDITED FABRICATION

12 – 15 days	Standard, no additional charge
10 – 11 days	15% fee
8 – 9 days	25% fee
6 – 7 days	45% fee
4 – 5 days	65% fee
2 – 3 days	100% fee

*Business days exclude weekends and holidays, does not include shipping costs or timelines.*

## Product Categories



EV Charging Stands



Emergency Call Towers



Custom Camera Mounts



Bollards



Cabinets



Goosenecks



Housings



Hoods



Accessories