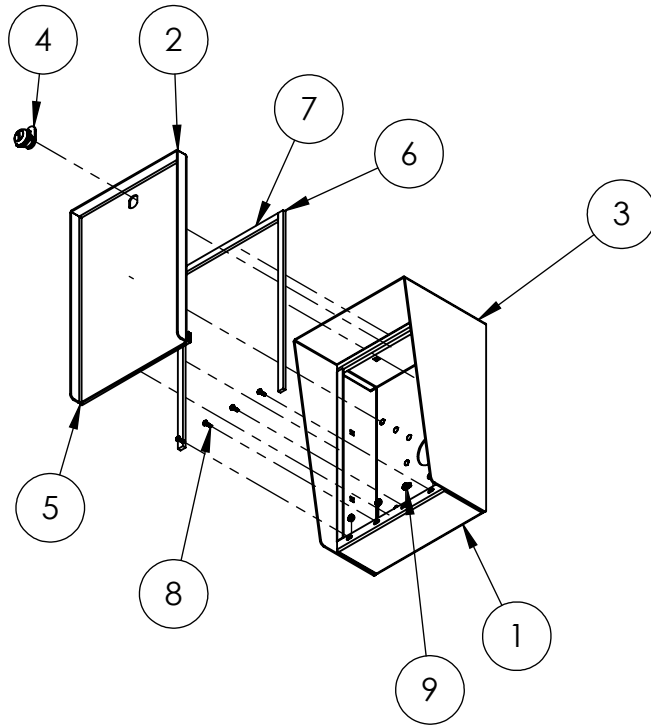


- NOTES:
 1. MATERIAL OF CONSTRUCTION IS 304 SS, BRUSHED #4.

UNLESS OTHERWISE SPECIFIED: DIMENSIONS ARE IN INCHES TOLERANCES: FRACTIONAL $\pm 1/32$ ANGULAR: $\pm 2^\circ$ TWO PLACE DECIMAL ± 0.010 THREE PLACE DECIMAL ± 0.005 INTERPRET GEOMETRIC TOLERANCING PER: ASME Y14.5 -2009	NAME	DATE
	DRAWN	
	CHECKED	
PROPRIETARY AND CONFIDENTIAL		
THE INFORMATION CONTAINED IN THIS DRAWING IS THE SOLE PROPERTY OF PEDESTALPRO LLC. ANY REPRODUCTION IN PART OR AS A WHOLE WITHOUT THE WRITTEN PERMISSION OF PEDESTALPRO LLC IS PROHIBITED.		

TITLE: INSTALLATION		SIZE A	PART NO. PORTRA-SS-8X12-E	REV 0
Tuesday, August 4, 2020 12:54:51 PM		NO SCALE		SHEET 1 OF 6
WEIGHT: 11.706				

ITEM NO.	PART NUMBER	DESCRIPTION	QTY.
1	PORTRA-SS-8X12-E ENCLOSURE	ENCLOSURE WELDMENT	1
2	PORTRA-SS-8X12-E DOOR	DOOR WELDMENT	1
3	PORTRA-SS-8X12-E HOOD	HOOD	1
4	CAM LOCK	STRAIGHT CAM	1
5	HINGE	PIANO HINGE	1
6	GASKET SIDE	3/8" X .150 WEATHERSTRIPPING	2
7	GASKET TOP	3/8" X .150 WEATHERSTRIPPING	1
8	--	6-32 PAN HEAD SCREW	4
9	--	6-32 EXTERNAL TOOTH LOCK NUT	4



NOTES:

1. SEE STANDARD PREPARATION AND COATING INSTRUCTIONS FOR COATING PROCEDURE AND COLOR.
2. SEE STANDARD PACKAGING INSTRUCTIONS FOR PACKAGING PROCEDURE.

UNLESS OTHERWISE SPECIFIED:

DIMENSIONS ARE IN INCHES
TOLERANCES:
FRACTIONAL $\pm 1/32$
ANGULAR: $\pm 2^\circ$
TWO PLACE DECIMAL ± 0.010
THREE PLACE DECIMAL ± 0.005

INTERPRET GEOMETRIC
TOLERANCING PER:
ASME Y14.5 -2009

NAME	DATE
DRAWN	
CHECKED	

PROPRIETARY AND CONFIDENTIAL
THE INFORMATION CONTAINED IN THIS DRAWING IS THE SOLE PROPERTY OF PEDESTALPRO LLC. ANY REPRODUCTION IN PART OR AS A WHOLE WITHOUT THE WRITTEN PERMISSION OF PEDESTALPRO LLC IS PROHIBITED.

TITLE:

ASSEMBLY

Tuesday, August 4,
2020 12:54:51 PM

WEIGHT: 11.706

SIZE
A

PART NO.
PORTRA-SS-8X12-E

REV
0

NO SCALE

SHEET 2 OF 6