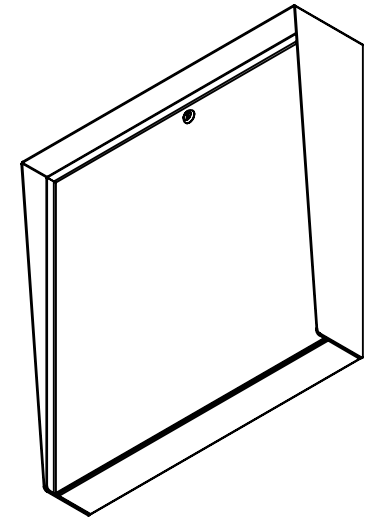
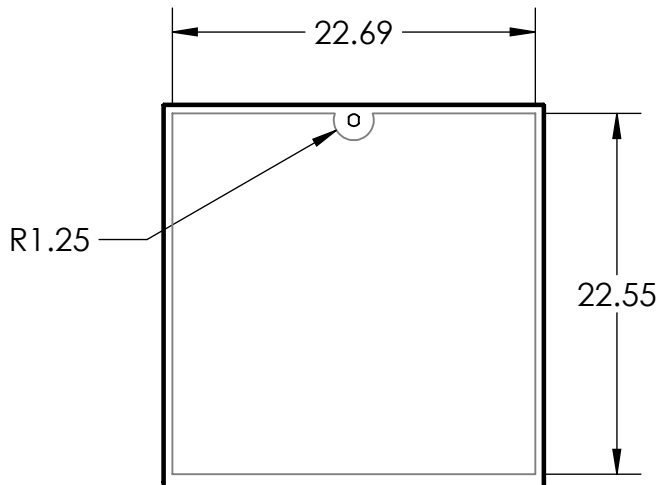
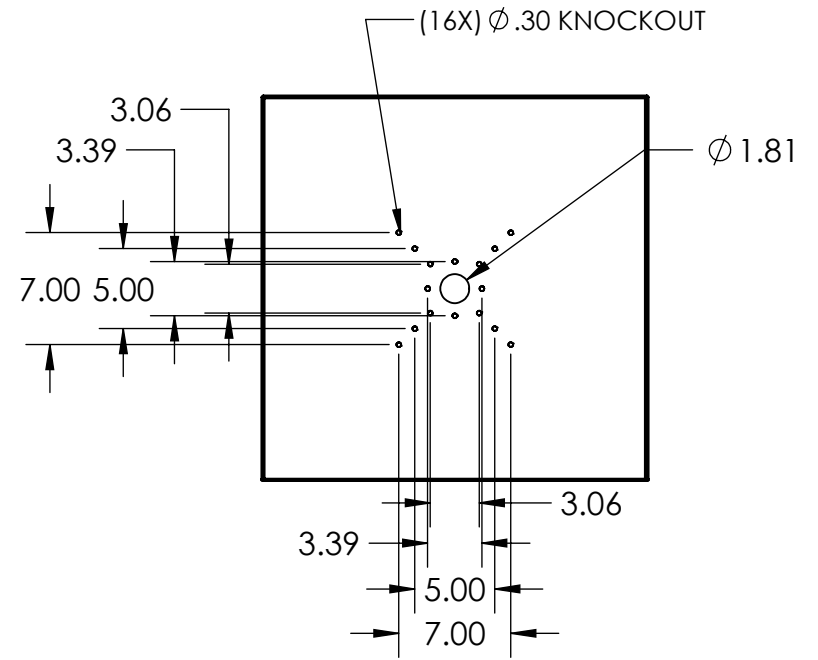


SECTION A-A



NOTES:

1. MATERIAL OF CONSTRUCTION IS 304 SS, BRUSHED #4.

UNLESS OTHERWISE SPECIFIED:  
 DIMENSIONS ARE IN INCHES  
 TOLERANCES:  
 FRACTIONAL  $\pm 1/32$   
 ANGULAR:  $\pm 2^\circ$   
 TWO PLACE DECIMAL  $\pm 0.010$   
 THREE PLACE DECIMAL  $\pm 0.005$   
 INTERPRET GEOMETRIC TOLERANCING PER: ASME Y14.5 -2009

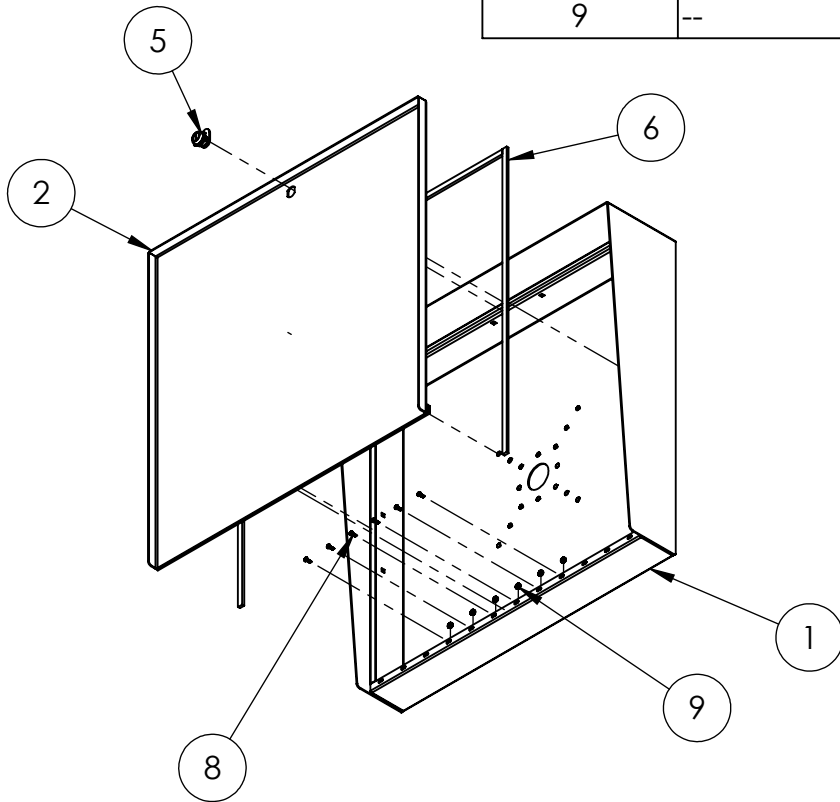
| NAME    | DATE |
|---------|------|
| DRAWN   |      |
| CHECKED |      |

**PROPRIETARY AND CONFIDENTIAL**  
 THE INFORMATION CONTAINED IN THIS DRAWING IS THE SOLE PROPERTY OF PEDESTALPRO LLC. ANY REPRODUCTION IN PART OR AS A WHOLE WITHOUT THE WRITTEN PERMISSION OF PEDESTALPRO LLC IS PROHIBITED.

TITLE:  
**INSTALLATION**  
 Thursday, December 10, 2020 10:56:43 AM  
 WEIGHT: 43.334

|                  |                        |                 |
|------------------|------------------------|-----------------|
| SIZE<br><b>A</b> | PART NO.<br>MC-SS-24-E | REV<br><b>A</b> |
| NO SCALE         |                        | SHEET 1 OF 6    |

| ITEM NO. | PART NUMBER          | DESCRIPTION                  | QTY. |
|----------|----------------------|------------------------------|------|
| 1        | MC-SS-24-E ENCLOSURE | ENCLOSURE WELDMENT           | 1    |
| 2        | MC-SS-24-E DOOR      | DOOR WELDMENT                | 1    |
| 3        | MC-SS-24-E HOOD      | HOOD                         | 1    |
| 4        | HINGE                | PIANO HINGE                  | 1    |
| 5        | CAM LOCK             | STRAIGHT CAM                 | 1    |
| 6        | GASKET SIDE          | 3/8" X .150 WEATHERSTRIPPING | 2    |
| 7        | GASKET TOP           | 3/8" X .150 WEATHERSTRIPPING | 1    |
| 8        | --                   | 6-32 PAN HEAD SCREW          | 6    |
| 9        | --                   | 6-32 EXTERNAL TOOTH LOCK NUT | 6    |



NOTES:

1. SEE STANDARD PREPARATION AND COATING INSTRUCTIONS FOR COATING PROCEDURE AND COLOR.
2. SEE STANDARD PACKAGING INSTRUCTIONS FOR PACKAGING PROCEDURE.

UNLESS OTHERWISE SPECIFIED:

DIMENSIONS ARE IN INCHES  
TOLERANCES:  
FRACTIONAL  $\pm 1/32$   
ANGULAR:  $\pm 2^\circ$   
TWO PLACE DECIMAL  $\pm 0.010$   
THREE PLACE DECIMAL  $\pm 0.005$

INTERPRET GEOMETRIC  
TOLERANCING PER:  
ASME Y14.5 -2009

| NAME    | DATE |
|---------|------|
| DRAWN   |      |
| CHECKED |      |

**PROPRIETARY AND CONFIDENTIAL**  
THE INFORMATION CONTAINED IN THIS DRAWING IS THE SOLE PROPERTY OF PEDESTALPRO LLC. ANY REPRODUCTION IN PART OR AS A WHOLE WITHOUT THE WRITTEN PERMISSION OF PEDESTALPRO LLC IS PROHIBITED.

TITLE:  
**ASSEMBLY**

Thursday, December 10, 2020 10:56:43 AM

WEIGHT: 43.334

|                  |                        |
|------------------|------------------------|
| SIZE<br><b>A</b> | PART NO.<br>MC-SS-24-E |
|------------------|------------------------|

|                 |
|-----------------|
| REV<br><b>A</b> |
|-----------------|

NO SCALE

SHEET 2 OF 6