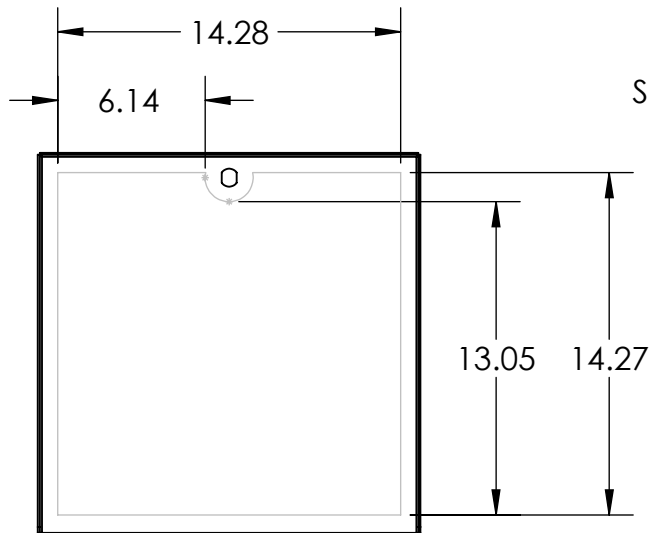
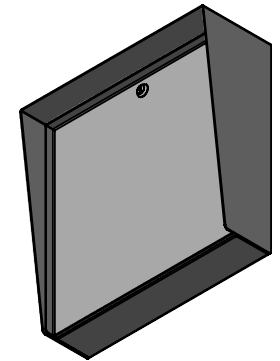
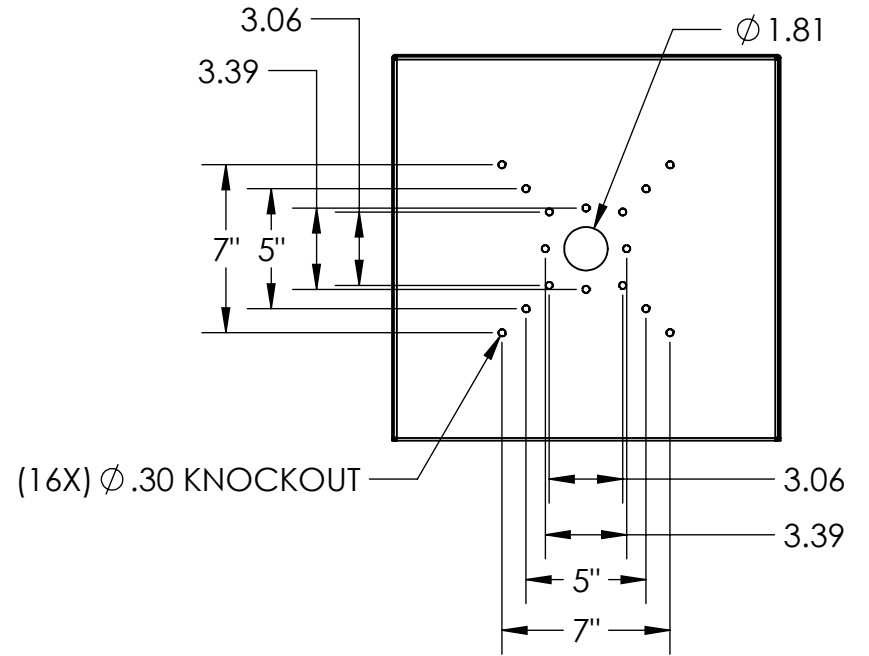


SECTION A-A



AVAILABLE CUTOUT AREA



UNLESS OTHERWISE SPECIFIED:

DIMENSIONS ARE IN INCHES  
 TOLERANCES:  
 FRACTIONAL  $\pm 1/32$   
 ANGULAR:  $\pm 2^\circ$   
 TWO PLACE DECIMAL  $\pm 0.010$   
 THREE PLACE DECIMAL  $\pm 0.005$

INTERPRET GEOMETRIC  
 TOLERANCING PER:  
 ASME Y14.5 -2009

NAME DATE

DRAWN

CHECKED

TITLE:

INSTALLATION

SIZE  
**A**

PART NO.  
MC-SS-16-E

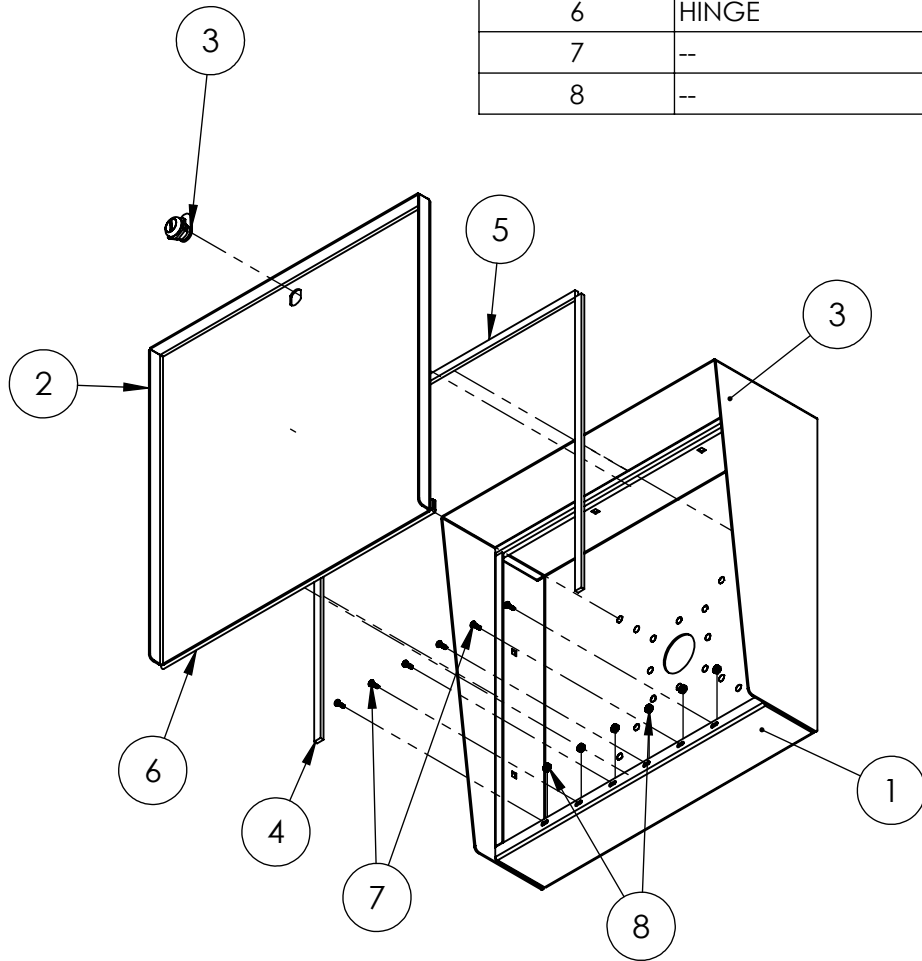
REV  
**A**

WEIGHT:

NO SCALE

SHEET 1 OF 6

ITEM NO.	PART NUMBER	DESCRIPTION	QTY.
1	MC-SS-16-E ENCLOSURE	ENCLOSURE WELDMENT	1
2	MC-SS-16-E DOOR	DOOR WELDMENT	1
3	CAM LOCK	STRAIGHT CAM	1
4	GASKET SIDE	3/8 X .150 WEATHERSTRIPPING	2
5	GASKET TOP	3/8 X .150 WEATHERSTRIPPING	1
6	HINGE	PIANO HINGE	1
7	--	6-32 X 3/8 SS BUTTON HEAD SCREW	6
8	--	6-32 EXTERNAL TOOTH LOCK NUT	6



- NOTES:
- SEE STANDARD PREPARATION AND COATING INSTRUCTIONS FOR COATING PROCEDURE AND COLOR.
  - SEE STANDARD PACKAGING INSTRUCTIONS FOR PACKAGING PROCEDURE.

UNLESS OTHERWISE SPECIFIED:

DIMENSIONS ARE IN INCHES  
TOLERANCES:  
FRACTIONAL  $\pm 1/32$   
ANGULAR:  $\pm 2^\circ$   
TWO PLACE DECIMAL  $\pm 0.010$   
THREE PLACE DECIMAL  $\pm 0.005$

INTERPRET GEOMETRIC  
TOLERANCING PER:  
ASME Y14.5 -2009

NAME	DATE
DRAWN	
CHECKED	

TITLE:  
**ASSEMBLY**

SIZE <b>A</b>	PART NO. MC-SS-16-E	REV <b>A</b>
WEIGHT:	NO SCALE	SHEET 2 OF 6