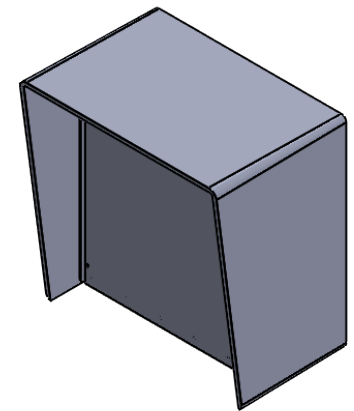


SECTION A-A

AVAILABLE CUTOUT AREA



UNLESS OTHERWISE SPECIFIED:

DIMENSIONS ARE IN INCHES
 TOLERANCES:
 FRACTIONAL $\pm 1/32$
 ANGULAR: $\pm 2^\circ$
 TWO PLACE DECIMAL ± 0.010
 THREE PLACE DECIMAL ± 0.005

INTERPRET GEOMETRIC
 TOLERANCING PER:
 ASME Y14.5 -2009

NAME DATE

DRAWN

CHECKED

PROPRIETARY AND CONFIDENTIAL

THE INFORMATION CONTAINED IN THIS
 DRAWING IS THE SOLE PROPERTY OF
 PEDESTALPRO LLC. ANY REPRODUCTION
 IN PART OR AS A WHOLE WITHOUT THE
 WRITTEN PERMISSION OF PEDESTALPRO LLC
 IS PROHIBITED.

TITLE:

INSTALLATION

Tuesday, March 05,
 2019 2:27:42 PM

WEIGHT:

SIZE
A

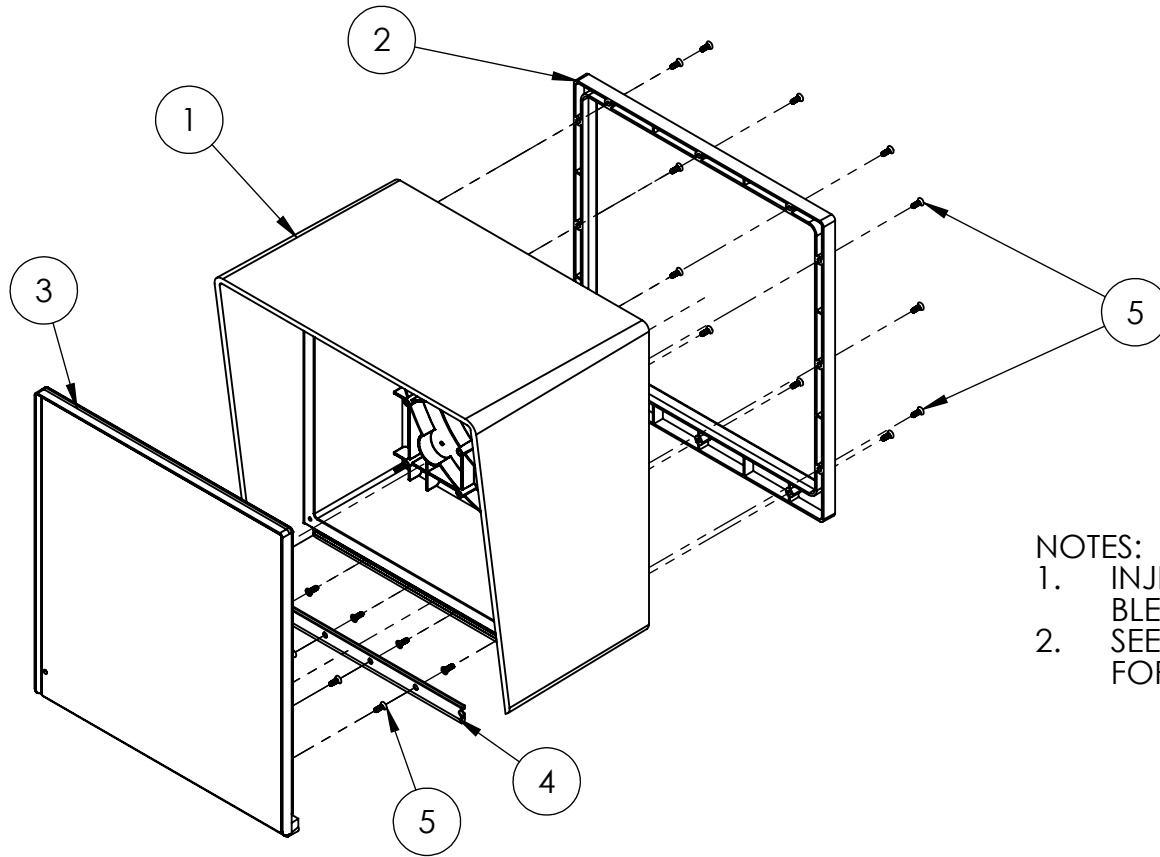
PART NO.
 MC-PC-10-E

REV
0

NO SCALE

SHEET 1 OF 6

ITEM NO.	PART NUMBER	DESCRIPTION	QTY.
1	MC-PC-10-E HOUSING	POLYCARBONATE HOUSING	1
2	MC-PC-10-E RETAINING RING	POLYCARBONATE RING	1
3	MC-PC-10-E DOOR	POLYCARBONATE DOOR	1
4	HINGE	PIANO HINGE	1
5	--	6-32 SS PHILLIPS FLAT HEAD SCREWS	20



- NOTES:
1. INJECTION MOLDED ABS/POLYCARBONATE BLEND, BLACK COLOR, UV STABLE.
 2. SEE STANDARD PACKAGING INSTRUCTIONS FOR PACKAGING PROCEDURE.

UNLESS OTHERWISE SPECIFIED:

DIMENSIONS ARE IN INCHES
TOLERANCES:
FRACTIONAL $\pm 1/32$
ANGULAR: $\pm 2^\circ$
TWO PLACE DECIMAL ± 0.010
THREE PLACE DECIMAL ± 0.005

INTERPRET GEOMETRIC
TOLERANCING PER:
ASME Y14.5 -2009

NAME DATE

DRAWN

CHECKED

PROPRIETARY AND CONFIDENTIAL

THE INFORMATION CONTAINED IN THIS
DRAWING IS THE SOLE PROPERTY OF
PEDESTALPRO LLC. ANY REPRODUCTION
IN PART OR AS A WHOLE WITHOUT THE
WRITTEN PERMISSION OF PEDESTALPRO LLC
IS PROHIBITED.

TITLE:

ASSEMBLY

Tuesday, March 05,
2019 2:27:42 PM

WEIGHT:

SIZE
A

PART NO.
MC-PC-10-E

REV
0

NO SCALE

SHEET 2 OF 6