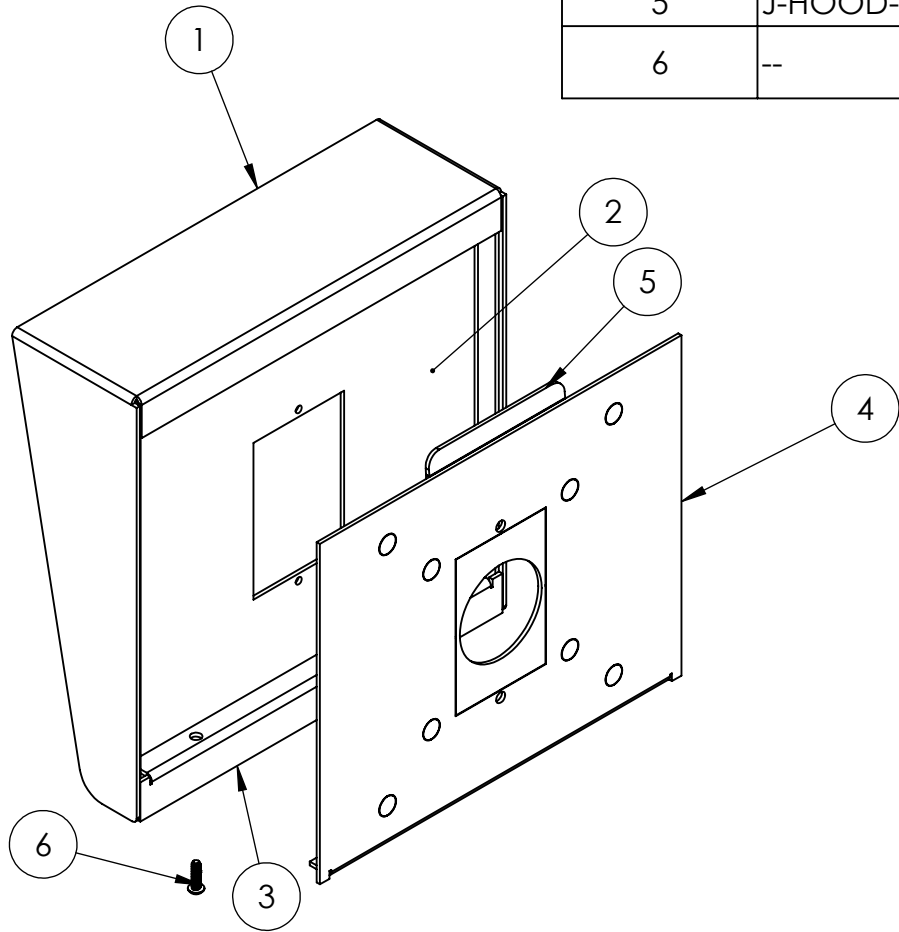


NOTES:
 1. MATERIAL OF CONSTRUCTION IS MILD STEEL COATED IN 2-4 MILS BLACK WRINKLE POWDER COATING.

UNLESS OTHERWISE SPECIFIED: DIMENSIONS ARE IN INCHES TOLERANCES: FRACTIONAL $\pm 1/32$ ANGULAR: $\pm 2^\circ$ TWO PLACE DECIMAL ± 0.010 THREE PLACE DECIMAL ± 0.005 INTERPRET GEOMETRIC TOLERANCING PER: ASME Y14.5 -2009	NAME	DATE	TITLE:	SIZE	PART NO.	REV
	DRAWN			A	J-HOOD-CS-8X8	0
	CHECKED			Thursday, September 13, 2018 1:05:51 PM	NO SCALE	SHEET 1 OF 8
PROPRIETARY AND CONFIDENTIAL THE INFORMATION CONTAINED IN THIS DRAWING IS THE SOLE PROPERTY OF PEDESTALPRO LLC. ANY REPRODUCTION IN PART OR AS A WHOLE WITHOUT THE WRITTEN PERMISSION OF PEDESTALPRO LLC IS PROHIBITED.			WEIGHT: 4.051			

ITEM NO.	PART NUMBER	DESCRIPTION	QTY.
1	J-HOOD-CS-8X8 HOOD	HOOD ASSEMBLY	1
2	J-HOOD-CS-8X8 MID PLATE	DEVICE MOUNTING PLATE	1
3	J-HOOD-CS-8X8 BOTTOM CLOSURE	HOOD ASSEMBLY	1
4	J-HOOD-CS-8X8 BACK PLATE	MOUNTING PLATE	1
5	J-HOOD-CS-8X8 HOOK	MOUNTING HOOK	1
6	--	6-32 X 1/2" PAN HEAD SECURITY SCREW	2



UNLESS OTHERWISE SPECIFIED:

DIMENSIONS ARE IN INCHES
TOLERANCES:
FRACTIONAL $\pm 1/32$
ANGULAR: $\pm 2^\circ$
TWO PLACE DECIMAL ± 0.010
THREE PLACE DECIMAL ± 0.005

INTERPRET GEOMETRIC
TOLERANCING PER:
ASME Y14.5 -2009

NAME	DATE
DRAWN	
CHECKED	

PROPRIETARY AND CONFIDENTIAL
THE INFORMATION CONTAINED IN THIS
DRAWING IS THE SOLE PROPERTY OF
PEDESTALPRO LLC. ANY REPRODUCTION
IN PART OR AS A WHOLE WITHOUT THE
WRITTEN PERMISSION OF PEDESTALPRO LLC
IS PROHIBITED.

TITLE:
ASSEMBLY

Thursday, September
13, 2018 1:05:51 PM

WEIGHT: 4.051

SIZE
A

PART NO.
J-HOOD-CS-8X8

NO SCALE

REV
0

SHEET 2 OF 8