

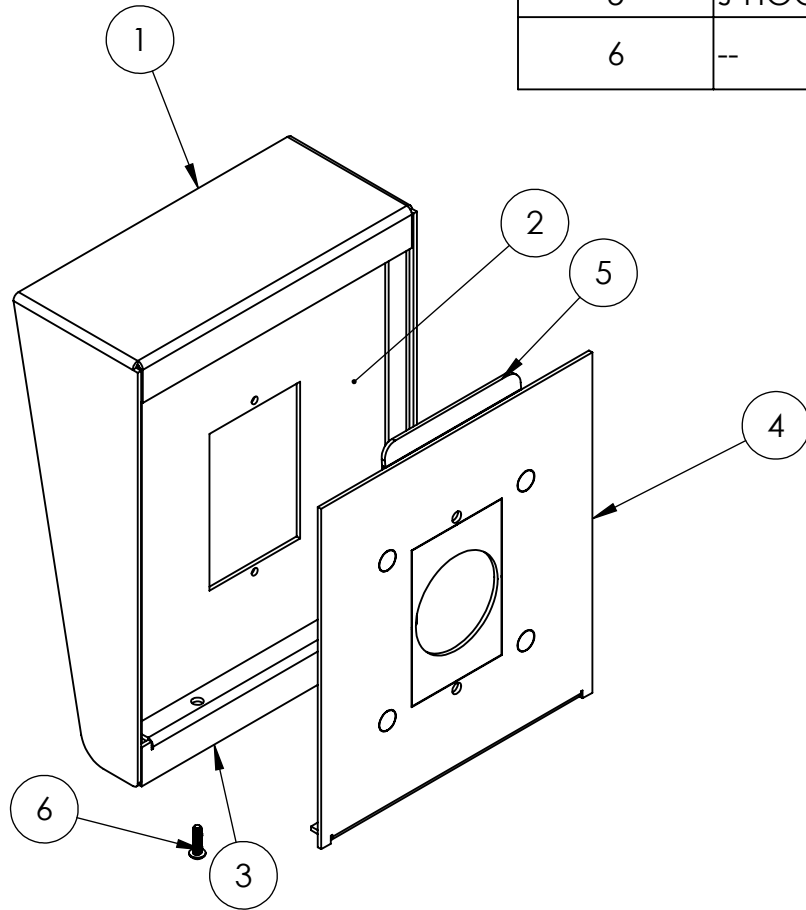
NOTES:
 1. MATERIAL OF CONSTRUCTION IS MILD STEEL COATED IN 2-4 MILS BLACK WRINKLE POWDER COATING.

UNLESS OTHERWISE SPECIFIED:
 DIMENSIONS ARE IN INCHES
 TOLERANCES:
 FRACTIONAL $\pm 1/32$
 ANGULAR: $\pm 2^\circ$
 TWO PLACE DECIMAL ± 0.010
 THREE PLACE DECIMAL ± 0.005
 INTERPRET GEOMETRIC TOLERANCING PER: ASME Y14.5 -2009

NAME	DATE
DRAWN	
CHECKED	
PROPRIETARY AND CONFIDENTIAL	
THE INFORMATION CONTAINED IN THIS DRAWING IS THE SOLE PROPERTY OF PEDESTALPRO LLC. ANY REPRODUCTION IN PART OR AS A WHOLE WITHOUT THE WRITTEN PERMISSION OF PEDESTALPRO LLC IS PROHIBITED.	

TITLE: INSTALLATION		SIZE A	PART NO. J-HOOD-CS-6X8	REV 0
Thursday, September 13, 2018 1:05:51 PM		NO SCALE		SHEET 1 OF 8
WEIGHT: 3.197				

ITEM NO.	PART NUMBER	DESCRIPTION	QTY.
1	J-HOOD-CS-6X6 HOOD	HOOD ASSEMBLY	1
2	J-HOOD-CS-6X8 MID PLATE	DEVICE MOUNTING PLATE	1
3	J-HOOD-CS-6X8 BOTTOM CLOSURE	HOOD ASSEMBLY	1
4	J-HOOD-CS-6X8 BACK PLATE	MOUNTING PLATE	1
5	J-HOOD-CS-6X8 HOOK	MOUNTING HOOK	1
6	--	6-32 X 1/2" PAN HEAD SECURITY SCREW	2



UNLESS OTHERWISE SPECIFIED:
 DIMENSIONS ARE IN INCHES
 TOLERANCES:
 FRACTIONAL $\pm 1/32$
 ANGULAR: $\pm 2^\circ$
 TWO PLACE DECIMAL ± 0.010
 THREE PLACE DECIMAL ± 0.005
 INTERPRET GEOMETRIC
 TOLERANCING PER:
 ASME Y14.5 -2009

NAME	DATE
DRAWN	
CHECKED	

PROPRIETARY AND CONFIDENTIAL
 THE INFORMATION CONTAINED IN THIS
 DRAWING IS THE SOLE PROPERTY OF
 PEDESTALPRO LLC. ANY REPRODUCTION
 IN PART OR AS A WHOLE WITHOUT THE
 WRITTEN PERMISSION OF PEDESTALPRO LLC
 IS PROHIBITED.

TITLE: ASSEMBLY		SIZE A	PART NO. J-HOOD-CS-6X8	REV 0
Thursday, September 13, 2018 1:05:51 PM		NO SCALE		SHEET 2 OF 8
WEIGHT: 3.197				