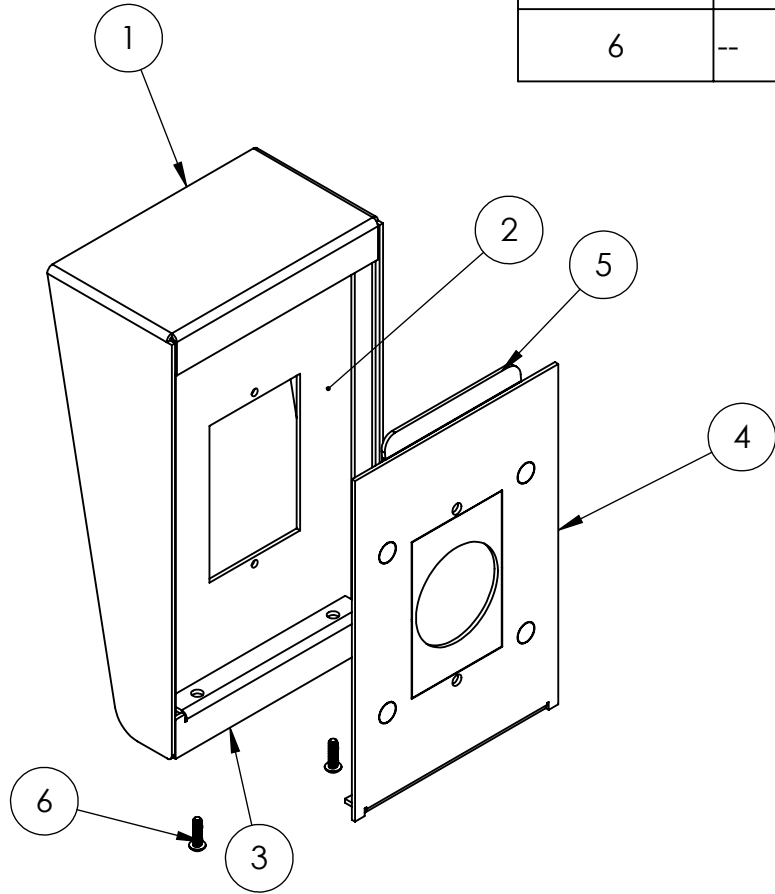


NOTES:  
 1. MATERIAL OF CONSTRUCTION IS MILD STEEL COATED IN 2-4 MILS BLACK WRINKLE POWDER COATING.

UNLESS OTHERWISE SPECIFIED:  DIMENSIONS ARE IN INCHES TOLERANCES: FRACTIONAL $\pm 1/32$ ANGULAR: $\pm 2^\circ$ TWO PLACE DECIMAL $\pm 0.010$ THREE PLACE DECIMAL $\pm 0.005$  INTERPRET GEOMETRIC TOLERANCING PER: ASME Y14.5 -2009	NAME	DATE
	DRAWN	
	CHECKED	
<b>PROPRIETARY AND CONFIDENTIAL</b>		
THE INFORMATION CONTAINED IN THIS DRAWING IS THE SOLE PROPERTY OF PEDESTALPRO LLC. ANY REPRODUCTION IN PART OR AS A WHOLE WITHOUT THE WRITTEN PERMISSION OF PEDESTALPRO LLC IS PROHIBITED.		

TITLE: <b>INSTALLATION</b>		SIZE <b>A</b>	PART NO. J-HOOD-CS-4.5X8	REV <b>0</b>
Thursday, September 13, 2018 1:05:51 PM		NO SCALE		SHEET 1 OF 8
WEIGHT: 2.556				

ITEM NO.	PART NUMBER	DESCRIPTION	QTY.
1	J-HOOD-CS-4.5X8	HOOD ASSEMBLY	1
2	J-HOOD-CS-4.5X8 MID PLATE	DEVICE MOUNTING PLATE	1
3	J-HOOD-CS-4.5X8 BOTTOM CLOSURE	HOOD ASSEMBLY	1
4	J-HOOD-CS-4.5X8 BACK PLATE	MOUNTING PLATE	1
5	J-HOOD-CS-4.5X8 HOOK	MOUNTING HOOK	1
6	--	6-32 X 1/2" PAN HEAD SECURITY SCREW	2



UNLESS OTHERWISE SPECIFIED:

DIMENSIONS ARE IN INCHES  
TOLERANCES:  
FRACTIONAL  $\pm 1/32$   
ANGULAR:  $\pm 2^\circ$   
TWO PLACE DECIMAL  $\pm 0.010$   
THREE PLACE DECIMAL  $\pm 0.005$

INTERPRET GEOMETRIC  
TOLERANCING PER:  
ASME Y14.5 -2009

NAME DATE

DRAWN

CHECKED

**PROPRIETARY AND CONFIDENTIAL**

THE INFORMATION CONTAINED IN THIS  
DRAWING IS THE SOLE PROPERTY OF  
PEDESTALPRO LLC. ANY REPRODUCTION  
IN PART OR AS A WHOLE WITHOUT THE  
WRITTEN PERMISSION OF PEDESTALPRO LLC  
IS PROHIBITED.

TITLE:

**ASSEMBLY**

Thursday, September  
13, 2018 1:05:51 PM

WEIGHT: 2.556

SIZE  
**A**

PART NO.

J-HOOD-CS-4.5X8

REV  
**0**

NO SCALE

SHEET 2 OF 8