

PRODUCT FEATURES

- Designed for security professionals
- No RFID interference
- Polycarbonate construction (.130" wall)
- .5" Internal ribbing for structural support
- Easy-to-cut holes for flush mount devices
- Universal design: ready for HID, AWID, and others
- Military-grade EPDM rubber seal
- #304 Stainless steel hinge
- 3" Backbox space
- 3" Weather/privacy shroud
- Removable door
- Cam lock included
- Knockouts on backside
- IP54 rating
- NDAA, Buy American, or USMCA/CUSMA compliant
- In-stock, ready-to-ship
- Available direct or through distribution



CUSTOM OPTIONS

- Factory cutouts available for your devices

DESCRIPTION

An interference-free polycarbonate housing for a long range reader. Ready for HID, AWID, and others. Rotating head (optional). Mount on a wall or pedestal at a gate or overpass. Outdoor rated with weather/privacy shroud, EPDM rubber seal, and stainless steel hinge. Hole markings on the backside provide easy-to-drill holes. Cam lock included. Door is removable.

RECOMMENDED ACCESSORIES

ROTATING HEAD



OMNI-4W5T-BLK

BUFFER PLATE



46PLA-PRO-001-HDP

HEATER



ACC-HEA-001-304

COOLING FAN



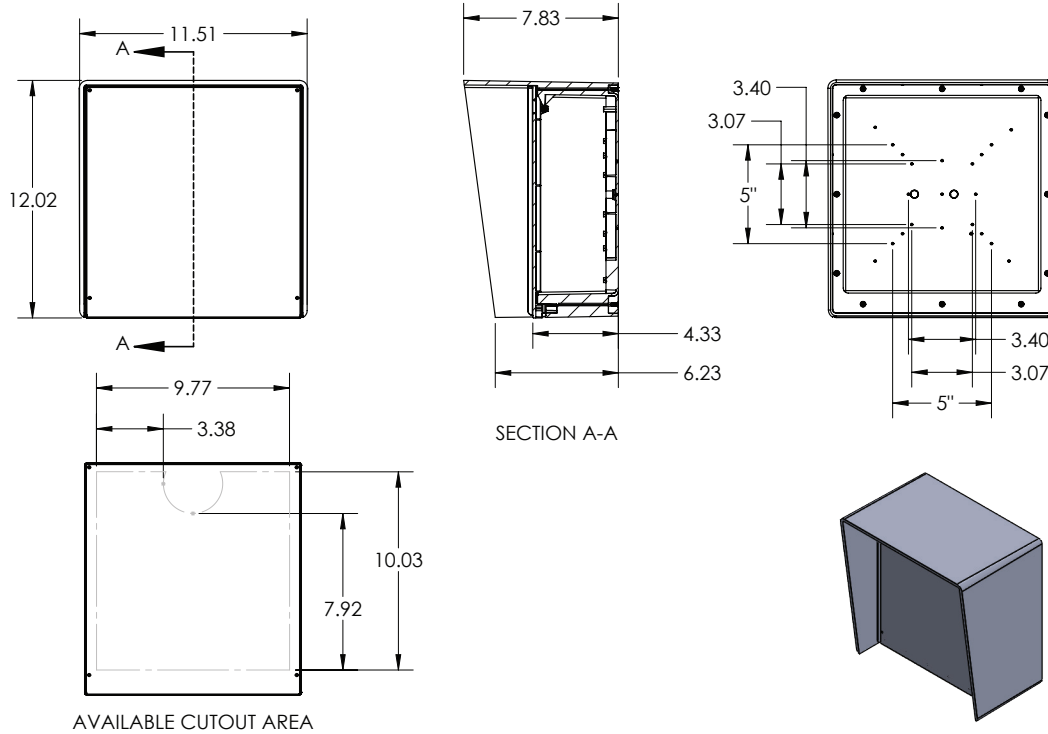
ACC-FAN-001-304

LIGHT KIT



ACC-LED-001

Model No. **MC-PC-10-E-BLK**



DATA & SPECS

Product Style	Housing
Material	Polycarbonate construction (.130" wall) with .5" ribbing
Tube	#304 Stainless steel
Face Plate	EPDM rubber
Base Plate	IP54
Cover Plate	Drill your own
Mounting Method	Drill your own mounting holes
Pretreatment	n/a
Finish	Textured to match pedestal
UV Protection	Yes
Hardware	none
Packaging	Foam wrapped and boxed individually
Package Size	13 x 13 x 7
Weight	11 lbs
Shipping Method	UPS, FedEx, or LTL freight
Compliance	NDA, Buy American, or USMCA/CUSMA (see website for details)
Warranty	1 year limited (see website for details)
Inventory Status	In-Stock (inventory levels viewable for registered users on pedestalpro.com)

SIMILAR PRODUCTS



Lando-PC-20x16-E-BLK



MC-PC-14-E-BLK



MC-CS-10-E



MC-SS-10-E

HID(R) is a registered trademark of HID Global Corporation, part of ASSA ABLOY. AWID(R) is a registered trademark of Applied Wireless IDentifications Group, Inc. Pedestal PRO does not represent this brand. Use of trademark does not imply any affiliation with or endorsement by trademark owner. Refer to their website for more detailed information. Any device shown is not included in a purchase from Pedestal PRO. Pedestal PRO product features and dimensions are subject to change at any time. Check pedestalpro.com for current information."