

Model No. **ADA-SS-TWR-47x4x6BRZ****PRODUCT FEATURES**

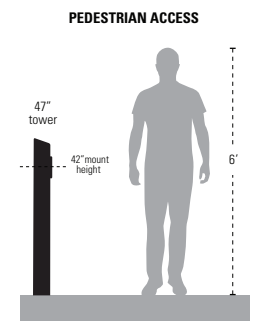
- Universal design
- Heavy duty materials
- Stainless steel construction
- Oil-rubbed Bronze powder coating w/ UV protection
- NDAA, Buy American, or USMCA/CUSMA compliant
- Build To Order (BTO)
- Available direct or through distribution
- ADA compliant

**CUSTOM OPTIONS**

- Customize device cutout
- Shorten or extend height
- Readily available powder coating colors (white, yellow, bronze, gray, silver)
- Choose any RAL powder color

**DESCRIPTION**

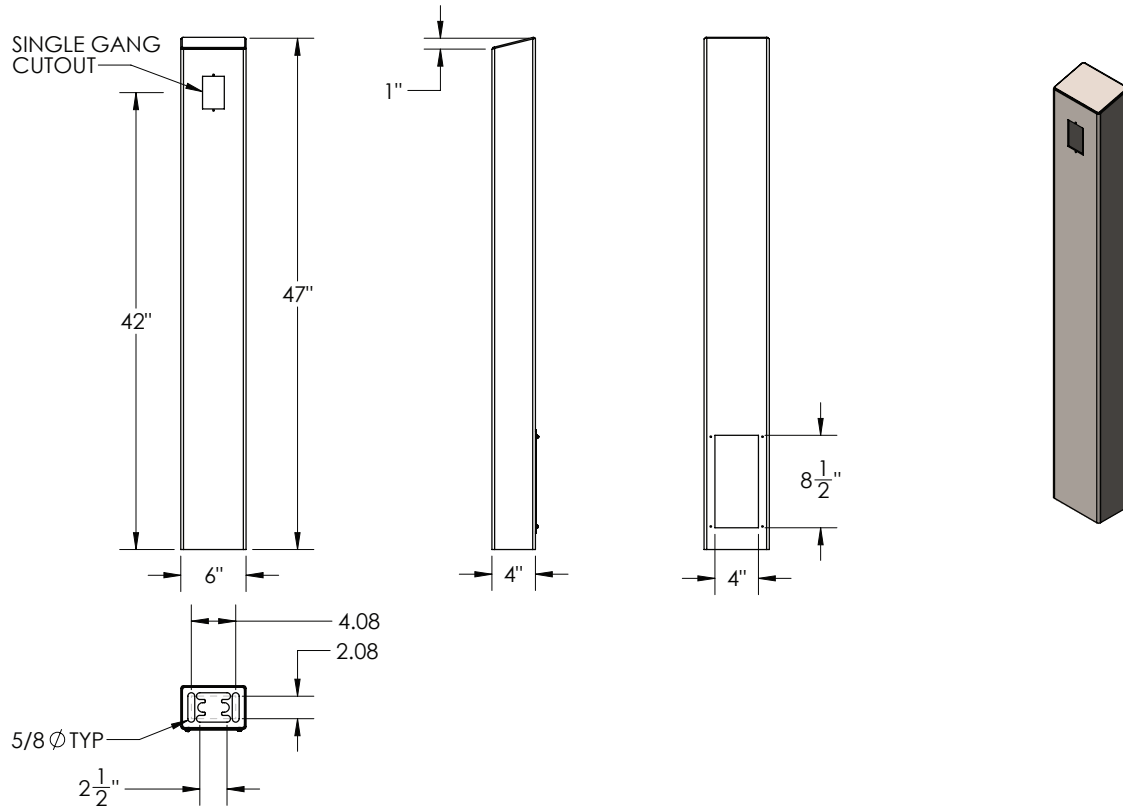
A timeless bollard for high end decor in lobbies and entryways. Serves as a beautiful showcase for entry/exit buttons, ADA actuators, card readers, and more. Standing 47" tall, this remarkable pedestal comes with a cutout to receive any single gang device of your choice.



Download Pedestrian Height Chart for more details

**RECOMMENDED ACCESSORIES**

Model No. **ADA-SS-TWR-47x4x6BRZ**



**DATA & SPECS**

Product Style	Bollard
Material	Steel
Tube	4" x 6" x .120" wall, steel
Face Plate	n/a
Base Plate	.25" plate
Cover Plate	.0749" (14 gauge) stainless steel #304
Mounting Method	Pad mount
Pretreatment	High pressure/high temperature phosphate wash and rinse
Finish	Oil-rubbed Bronze powder coating (TGIC outdoor polyester)
UV Protection	Yes
Hardware	none
Packaging	Foam wrapped and boxed individually
Package Size	52 x 8 x 6
Weight	35 lbs
Shipping Method	UPS, FedEx, or LTL freight
Compliance	NDA, Buy American, or USMCA/CUSMA (see website for details)
Warranty	1 year limited (see website for details)
Inventory Status	Build To Order (Fast Track production is available)

**SIMILAR PRODUCTS**

