

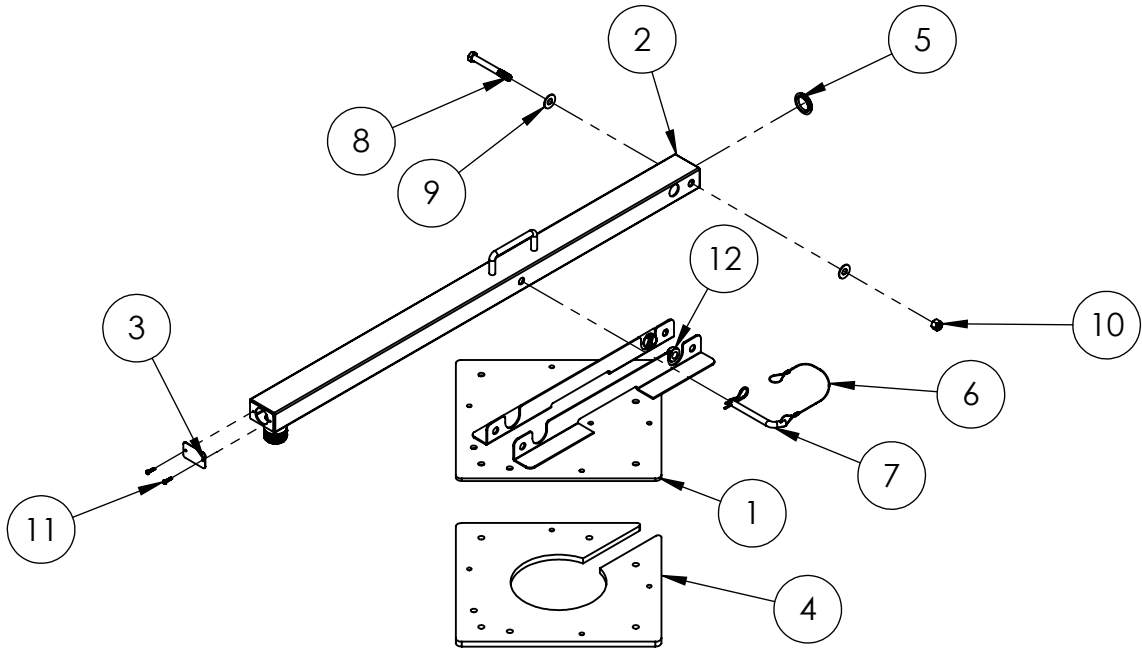
UNLESS OTHERWISE SPECIFIED:
 DIMENSIONS ARE IN INCHES
 TOLERANCES:
 FRACTIONAL $\pm 1/32$
 ANGULAR: $\pm 2^\circ$
 TWO PLACE DECIMAL ± 0.010
 THREE PLACE DECIMAL ± 0.005

INTERPRET GEOMETRIC
 TOLERANCING PER:
 ASME Y14.5 -2009

NAME	DATE
DRAWN	
CHECKED	

TITLE: INSTALLATION		
SIZE A	PART NO. CAMSKY-PARA-01-304	REV A
WEIGHT:	NO SCALE	SHEET 1 OF 14

ITEM NO.	PART NUMBER	DESCRIPTION	
1	BASE WELDMENT	BASE WELDMENT	1
2	ARM WELDMENT	ARM WELDMENT	1
3	FRONT CAP	CAP PLATE	1
4	SPACER	HDPD 1/2" THICK BLACK	1
5	PLASTIC CAP	PLASTIC CAP	1
6	CABLE	1/32" X 18" SS CABLE AND SLEEVES	1
7	--	SS BENT-PULL HITCH PIN	1
8	--	1/2"-13 X 4.25" HHCS	1
9	--	1/2" FLAT WASHER	2
10	--	1/2"-13 LOCK NUT	1
11	--	8-32 X 1/2" PAN HEAD SCREW	2
12	--	PANEL PLUG FOR 1.115" HOLE	2



UNLESS OTHERWISE SPECIFIED:
 DIMENSIONS ARE IN INCHES
 TOLERANCES:
 FRACTIONAL $\pm 1/32$
 ANGULAR: $\pm 2^\circ$
 TWO PLACE DECIMAL ± 0.010
 THREE PLACE DECIMAL ± 0.005

INTERPRET GEOMETRIC
 TOLERANCING PER:
 ASME Y14.5 -2009

	NAME	DATE
DRAWN		
CHECKED		

TITLE:
ASSEMBLY

WEIGHT:	NO SCALE	SHEET 2 OF 14
SIZE	PART NO.	REV
A	CAMSKY-PARA-01-304	A