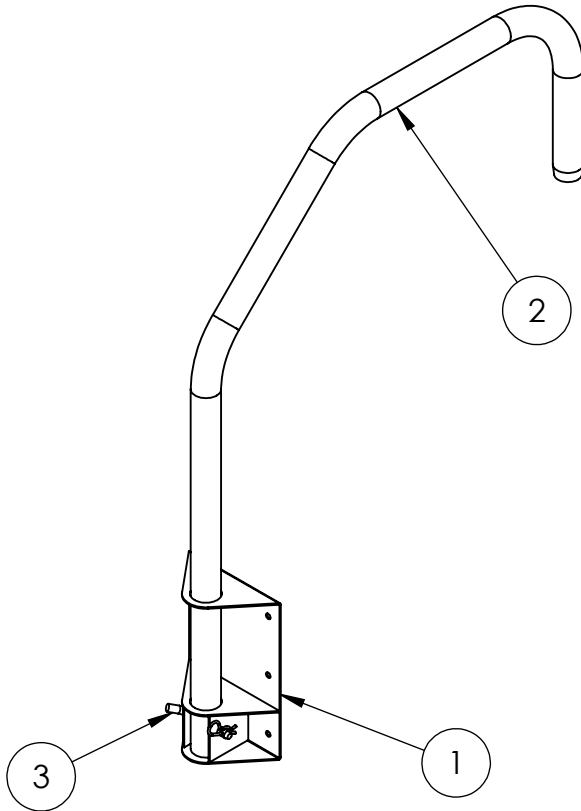


Ø 1.10 WIRE PASS/CONDUIT CONNECTION

- NOTES:
1. MATERIAL OF CONSTRUCTION IS 304 SS.
 2. COATED IN 2-4 MILS SILVER POWDER COAT.

UNLESS OTHERWISE SPECIFIED: DIMENSIONS ARE IN INCHES TOLERANCES: FRACTIONAL ± 1/32 ANGULAR: ± 2° TWO PLACE DECIMAL ± 0.010 THREE PLACE DECIMAL ± 0.005 INTERPRET GEOMETRIC TOLERANCING PER: ASME Y14.5 -2009	NAME DRAWN CHECKED	DATE	TITLE: INSTALLATION	SIZE A	PART NO. CAMSKY-JHOO-01-304	REV 0
	PROPRIETARY AND CONFIDENTIAL THE INFORMATION CONTAINED IN THIS DRAWING IS THE SOLE PROPERTY OF PEDESTALPRO LLC. ANY REPRODUCTION IN PART OR AS A WHOLE WITHOUT THE WRITTEN PERMISSION OF PEDESTALPRO LLC IS PROHIBITED.		Thursday, December 10, 2020 9:21:12 AM	WEIGHT:	NO SCALE	SHEET 1 OF 6
	www.GooseneckStands.com (800) 878-7829 Sales@GooseneckStands.com					

ITEM NO.	PART NUMBER	DESCRIPTION	QTY.
1	CAMSKY-JHOO-01-304 BRACKET	HEAVY DUTY SS WALL MOUNTING BRACKET	1
2	CAMSKY-JHOO-01-304 ARM	HEAVY DUTY SS JHOOK MOUNTING ARM	1
3	--	SS HITCH PIN	1



NOTES:

1. SEE STANDARD PREPARATION AND COATING INSTRUCTIONS FOR COATING PROCEDURE AND COLOR.
2. SEE STANDARD PACKAGING INSTRUCTIONS FOR PACKAGING PROCEDURE.

UNLESS OTHERWISE SPECIFIED:

DIMENSIONS ARE IN INCHES
TOLERANCES:
FRACTIONAL $\pm 1/32$
ANGULAR: $\pm 2^\circ$
TWO PLACE DECIMAL ± 0.010
THREE PLACE DECIMAL ± 0.005

INTERPRET GEOMETRIC
TOLERANCING PER:
ASME Y14.5 -2009

NAME	DATE
DRAWN	
CHECKED	

PROPRIETARY AND CONFIDENTIAL
THE INFORMATION CONTAINED IN THIS DRAWING IS THE SOLE PROPERTY OF PEDESTALPRO LLC. ANY REPRODUCTION IN PART OR AS A WHOLE WITHOUT THE WRITTEN PERMISSION OF PEDESTALPRO LLC IS PROHIBITED.

TITLE: ASSEMBLY		SIZE A	PART NO. CAMSKY-JHOO-01-304	REV 0
Thursday, December 10, 2020 9:21:12 AM		NO SCALE		SHEET 2 OF 6
WEIGHT:				