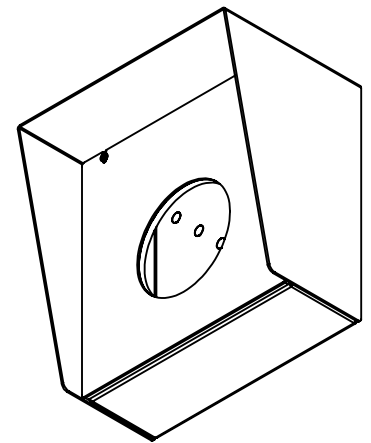
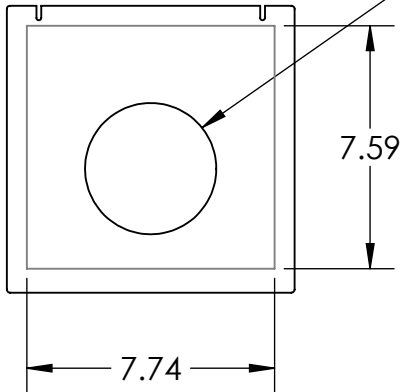


2N INDOOR TALK, VIEW, COMPACT  
 \*REQUIRES 2N BACK BOX P/N: 01700-001



NOTES:

1. MATERIAL OF CONSTRUCTION IS MILD STEEL.
2. 2-4 MILS BLACK WRINKLE POWDER COAT.

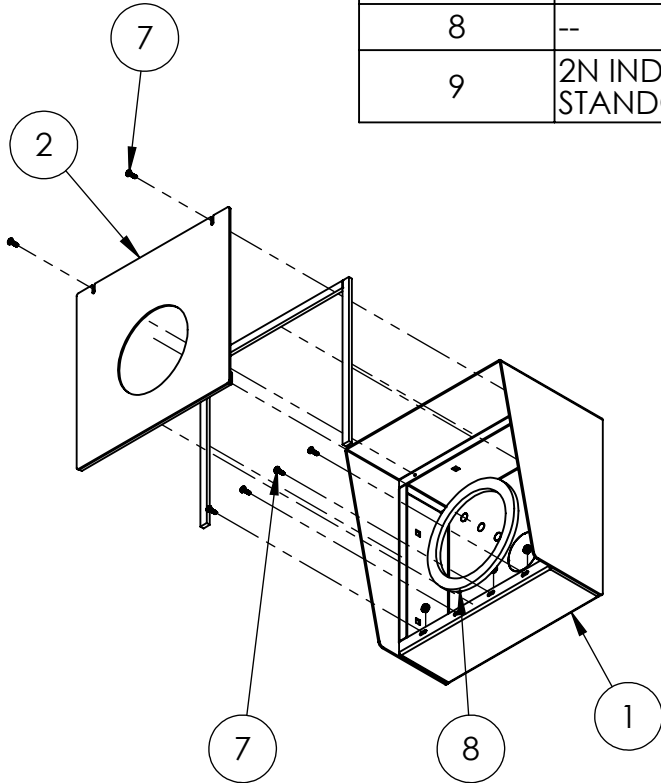
UNLESS OTHERWISE SPECIFIED:  
 DIMENSIONS ARE IN INCHES  
 TOLERANCES:  
 FRACTIONAL  $\pm 1/32$   
 ANGULAR:  $\pm 2^\circ$   
 TWO PLACE DECIMAL  $\pm 0.010$   
 THREE PLACE DECIMAL  $\pm 0.005$   
 INTERPRET GEOMETRIC  
 TOLERANCING PER:  
 ASME Y14.5 -2009

NAME	DATE
DRAWN	
CHECKED	

TITLE:  
**INSTALLATION**

WEIGHT: 9.468	SIZE <b>A</b>	PART NO. 99HOU-2NIP-01-CRS	REV <b>A</b>
	NO SCALE	SHEET 1 OF 7	

ITEM NO.	PART NUMBER	DESCRIPTION	QTY.
1	99HOU-2NIP-01-CRS ENCLOSURE	ENCLOSURE WELDMENT	1
2	99HOU-2NIP-01-CRS DOOR	DOOR	1
3	99HOU-2NIP-01-CRS HOOD	HOOD	1
4	HINGE	PIANO HINGE	1
5	GASKET SIDE	3/8" X .150 WEATHERSTRIPPING	2
6	GASKET TOP	3/8" X .150 WEATHERSTRIPPING	1
7	--	6-32 PAN HEAD SCREW	6
8	--	6-32 EXTERNAL TOOTH LOCK NUT	4
9	2N INDOOR TALK-VIEW-COMPACT STANDOFF	INDOOR SERIES MOUNTING STANDOFF	1



NOTES:

1. SEE STANDARD PREPARATION AND COATING INSTRUCTIONS FOR COATING PROCEDURE AND COLOR.
2. SEE STANDARD PACKAGING INSTRUCTIONS FOR PACKAGING PROCEDURE.

UNLESS OTHERWISE SPECIFIED:

DIMENSIONS ARE IN INCHES  
TOLERANCES:  
FRACTIONAL  $\pm 1/32$   
ANGULAR:  $\pm 2^\circ$   
TWO PLACE DECIMAL  $\pm 0.010$   
THREE PLACE DECIMAL  $\pm 0.005$

INTERPRET GEOMETRIC  
TOLERANCING PER:  
ASME Y14.5 -2009

NAME	DATE
DRAWN	
CHECKED	

TITLE:  
**ASSEMBLY**

SIZE <b>A</b>	PART NO. 99HOU-2NIP-01-CRS	REV <b>A</b>
WEIGHT: 9.468	NO SCALE	SHEET 2 OF 7