

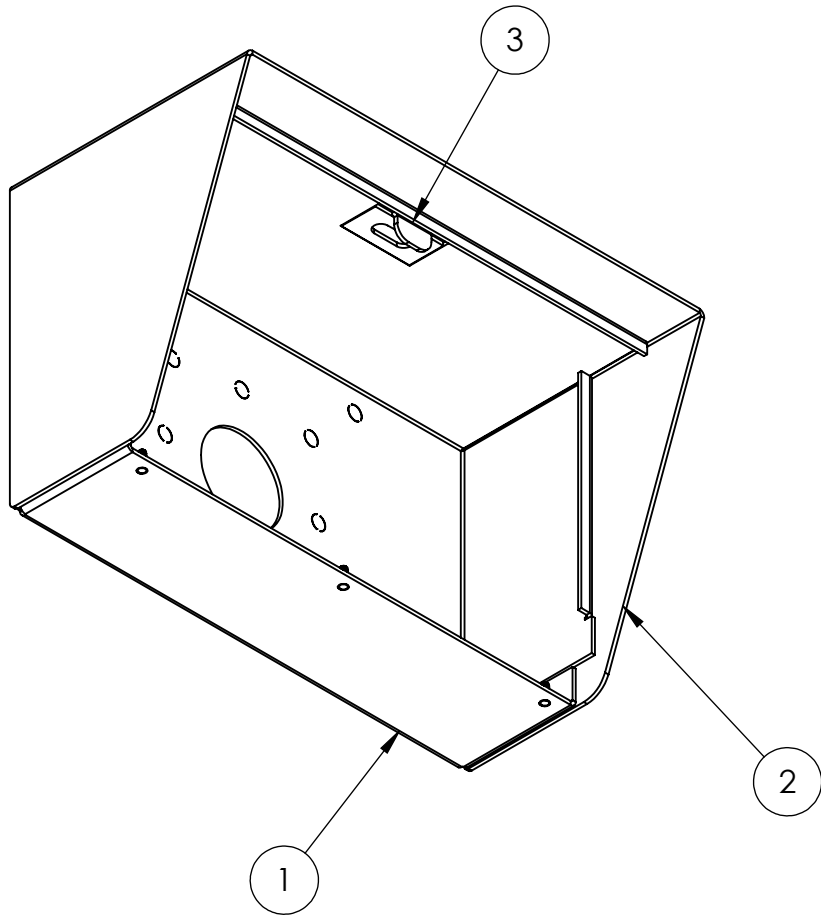
NOTES:
 1. MATERIAL OF CONSTRUCTION IS 304 SS, BRUSHED #4.

UNLESS OTHERWISE SPECIFIED:
 DIMENSIONS ARE IN INCHES
 TOLERANCES:
 FRACTIONAL $\pm 1/32$
 ANGULAR: $\pm 2^\circ$
 TWO PLACE DECIMAL ± 0.010
 THREE PLACE DECIMAL ± 0.005
 INTERPRET GEOMETRIC
 TOLERANCING PER:
 ASME Y14.5 -2009

| NAME | DATE |
|---------|------|
| DRAWN | |
| CHECKED | |

| | | | | |
|-------------------------------|--|------------------|-------------------------------|-----------------|
| TITLE: INSTALLATION | | SIZE A | PART NO. 95H00-DOOR-01-304 | REV A |
| WEIGHT: 5.643 | | NO SCALE | | SHEET 1 OF 6 |

| ITEM NO. | PART NUMBER | DESCRIPTION | QTY. |
|----------|-----------------------------|------------------------|------|
| 1 | 95HOO-DOOR-01-304 ENCLOSURE | DB D1812 ENCLOSURE | 1 |
| 2 | 95HOO-DOOR-01-304 HOOD | DB D1812 HOOD | 1 |
| 3 | 95HOO-DOOR-01-304 LATCH | DB 1812 CAM LATCH | 1 |
| 4 | -- | 6-32 X 3/8 SS PEM STUD | 3 |



NOTES:

1. SEE STANDARD PREPARATION AND COATING INSTRUCTIONS FOR COATING PROCEDURE AND COLOR.
2. SEE STANDARD PACKAGING INSTRUCTIONS FOR PACKAGING PROCEDURE.

UNLESS OTHERWISE SPECIFIED:
 DIMENSIONS ARE IN INCHES
 TOLERANCES:
 FRACTIONAL $\pm 1/32$
 ANGULAR: $\pm 2^\circ$
 TWO PLACE DECIMAL ± 0.010
 THREE PLACE DECIMAL ± 0.005
 INTERPRET GEOMETRIC
 TOLERANCING PER:
 ASME Y14.5 -2009

| | NAME | DATE |
|---------|------|------|
| DRAWN | | |
| CHECKED | | |

| | | | | |
|---------------------------|--|------------------|-------------------------------|-----------------|
| TITLE: ASSEMBLY | | SIZE A | PART NO. 95HOO-DOOR-01-304 | REV A |
| WEIGHT: 5.643 | | NO SCALE | | SHEET 2 OF 6 |