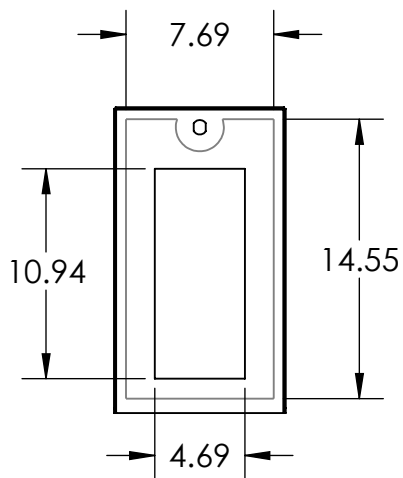
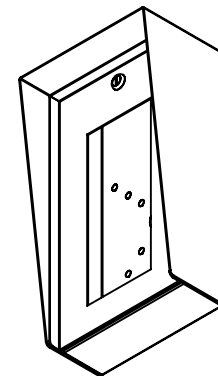
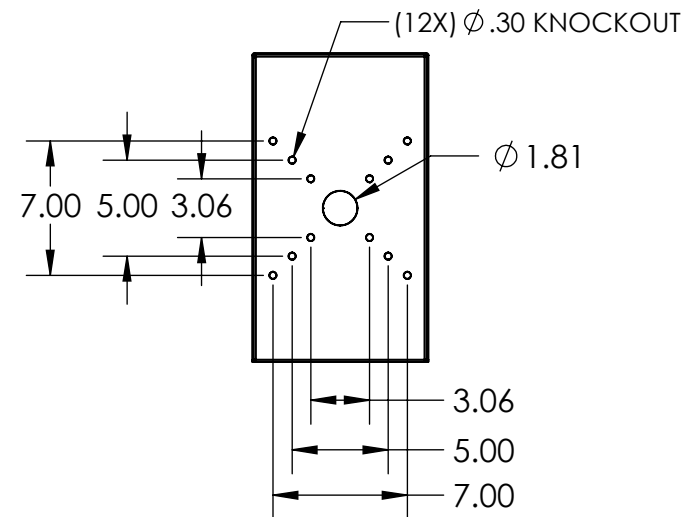


SECTION A-A



NOTES:

1. MATERIAL OF CONSTRUCTION IS MILD STEEL.
2. 2-4 MILS OF BLACK WRINKLE POWDER COATING. (8017-91612)
3. CUSTOMER SUPPLIED AXIS TA8201 RECESSED MOUNT KIT.

UNLESS OTHERWISE SPECIFIED:

DIMENSIONS ARE IN INCHES
 TOLERANCES:
 FRACTIONAL $\pm 1/32$
 ANGULAR: $\pm 2^\circ$
 TWO PLACE DECIMAL ± 0.010
 THREE PLACE DECIMAL ± 0.005

INTERPRET GEOMETRIC
 TOLERANCING PER:
 ASME Y14.5 -2009

NAME DATE

DRAWN
 CHECKED

TITLE:

INSTALLATION

SIZE
A

PART NO.
 916HOU-AXIS-05-CRS

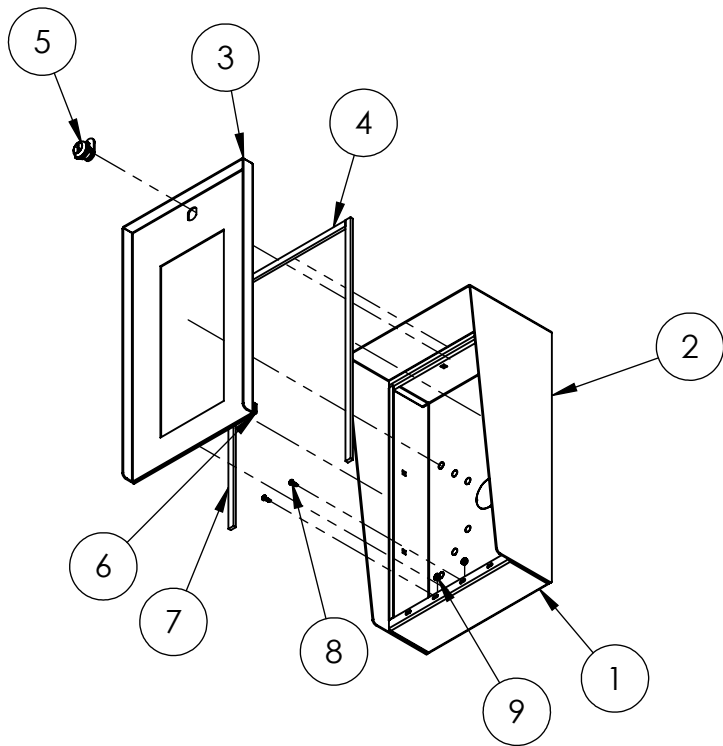
REV
A

WEIGHT: 13.700

NO SCALE

SHEET 1 OF 6

| ITEM NO. | PART NUMBER | DESCRIPTION | QTY. |
|----------|------------------------------|------------------------------|------|
| 1 | 916HOU-AXIS-05-CRS ENCLOSURE | ENCLOSURE WELDMENT | 1 |
| 2 | 916HOU-AXIS-05-CRS HOOD | HOOD | 1 |
| 3 | 916HOU-AXIS-05-CRS DOOR | DOOR WELDMENT | 1 |
| 4 | GASKET TOP | 3/8" X .150 WEATHERSTRIPPING | 1 |
| 5 | CAM LOCK | STRAIGHT CAM | 1 |
| 6 | HINGE | PIANO HINGE | 1 |
| 7 | GASKET SIDE | 3/8" X .150 WEATHERSTRIPPING | 2 |
| 8 | -- | 6-32 PAN HEAD SCREW | 2 |
| 9 | -- | 6-32 EXTERNAL TOOTH LOCK NUT | 2 |



NOTES:

1. SEE STANDARD PREPARATION AND COATING INSTRUCTIONS FOR COATING PROCEDURE AND COLOR.
2. SEE STANDARD PACKAGING INSTRUCTIONS FOR PACKAGING PROCEDURE.

UNLESS OTHERWISE SPECIFIED:

DIMENSIONS ARE IN INCHES
TOLERANCES:
FRACTIONAL $\pm 1/32$
ANGULAR: $\pm 2^\circ$
TWO PLACE DECIMAL ± 0.010
THREE PLACE DECIMAL ± 0.005

INTERPRET GEOMETRIC
TOLERANCING PER:
ASME Y14.5 -2009

| NAME | DATE |
|---------|------|
| DRAWN | |
| CHECKED | |

TITLE:

ASSEMBLY

| | | | |
|----------------|------------------|--------------------------------|-----------------|
| WEIGHT: 13.700 | SIZE A | PART NO. 916HOU-AXIS-05-CRS | REV A |
| | NO SCALE | SHEET 2 OF 6 | |