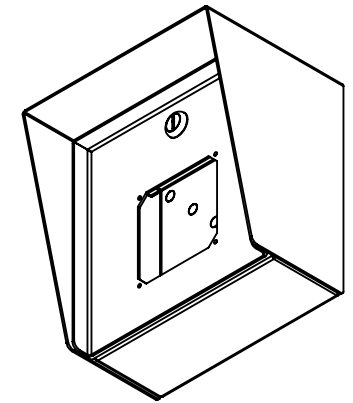


(4X) DRILL #29  
TAP 8-32

SECTION A-A

VIKING CUTOUT FITS:

- E-10A, E10A-EWP, E-10-IP, E-10-IP-EWP,
- E-10-WHA, E-10-WHA-EWP, E-30, E-30-EWP,
- E-30-IP, E-30-IP-EWP, E-30-PT, E-30-PT-EWP,
- E-30TF-IP, E-30TF-IP-EWP, E-35, E-35-EWP,
- E-35-IP, E-35-IP-EWP, E-1600-20A,
- E-1600-20A-EWP, E-1600-20-IP, E-1600-20-IPEWP,
- E-1600-30A, E-1600-30A-EWP, E-1600-30-IP,
- E-1600-30-IPEWP, MSB-30, MSB-30-EWP, W-1000,
- W-1000-EWP, W-3000, W-3000-EWP, W-3005,
- W-3005-EWP



NOTES:

1. MATERIAL OF CONSTRUCTION IS 304 SS, BRUSHED #4.

UNLESS OTHERWISE SPECIFIED:

DIMENSIONS ARE IN INCHES  
TOLERANCES:  
FRACTIONAL  $\pm 1/32$   
ANGULAR:  $\pm 2^\circ$   
TWO PLACE DECIMAL  $\pm 0.010$   
THREE PLACE DECIMAL  $\pm 0.005$

INTERPRET GEOMETRIC  
TOLERANCING PER:  
ASME Y14.5 -2009

NAME	DATE
DRAWN	
CHECKED	

**PROPRIETARY AND CONFIDENTIAL**  
THE INFORMATION CONTAINED IN THIS  
DRAWING IS THE SOLE PROPERTY OF  
PEDESTALPRO LLC. ANY REPRODUCTION  
IN PART OR AS A WHOLE WITHOUT THE  
WRITTEN PERMISSION OF PEDESTALPRO LLC  
IS PROHIBITED.

TITLE:  
**INSTALLATION**

Friday, May 5, 2023 2:43:26  
PM

WEIGHT: 8.445

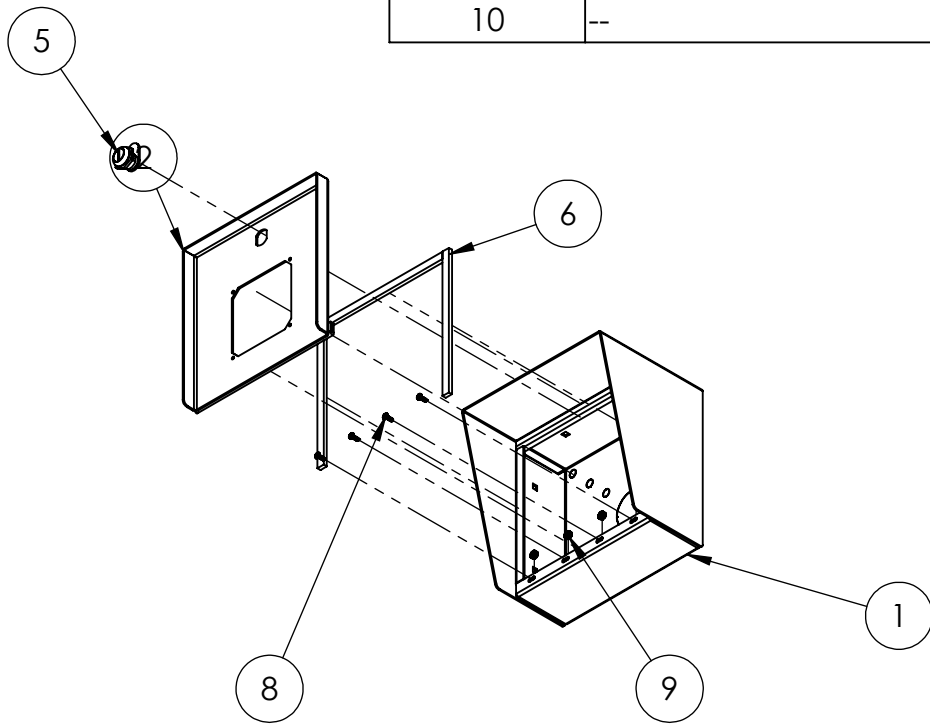
SIZE **A** PART NO.  
**88HOU-VIKI-01-304**

NO SCALE

REV **C**

SHEET 1 OF 6

ITEM NO.	PART NUMBER	DESCRIPTION	QTY.
1	88HOU-VIKI-01-304 ENCLOSURE	ENCLOSURE WELDMENT	1
2	88HOU-VIKI-01-304 DOOR	DOOR WELDMENT	1
3	88HOU-VIKI-01-304 HOOD	HOOD	1
4	HINGE	PIANO HINGE	1
5	CAM LOCK	STRAIGHT CAM	1
6	GASKET SIDE	3/8" X .150 WEATHERSTRIPPING	2
7	GASKET TOP	3/8" X .150 WEATHERSTRIPPING	1
8	--	6-32 PAN HEAD SCREW	4
9	--	6-32 EXTERNAL TOOTH LOCK NUT	4
10	--	8-32 HEX FLAT HEAD SCREW	4



NOTES:

- SEE STANDARD PREPARATION AND COATING INSTRUCTIONS FOR COATING PROCEDURE AND COLOR.
- SEE STANDARD PACKAGING INSTRUCTIONS FOR PACKAGING PROCEDURE.

UNLESS OTHERWISE SPECIFIED:

DIMENSIONS ARE IN INCHES  
TOLERANCES:  
FRACTIONAL  $\pm 1/32$   
ANGULAR:  $\pm 2^\circ$   
TWO PLACE DECIMAL  $\pm 0.010$   
THREE PLACE DECIMAL  $\pm 0.005$

INTERPRET GEOMETRIC  
TOLERANCING PER:  
ASME Y14.5 -2009

NAME	DATE
DRAWN	
CHECKED	

**PROPRIETARY AND CONFIDENTIAL**  
THE INFORMATION CONTAINED IN THIS DRAWING IS THE SOLE PROPERTY OF PEDESTALPRO LLC. ANY REPRODUCTION IN PART OR AS A WHOLE WITHOUT THE WRITTEN PERMISSION OF PEDESTALPRO LLC IS PROHIBITED.

TITLE: <b>ASSEMBLY</b>		SIZE <b>A</b>	PART NO. 88HOU-VIKI-01-304	REV <b>C</b>
Friday, May 5, 2023 2:43:26 PM		NO SCALE		SHEET 2 OF 6
WEIGHT: 8.445				