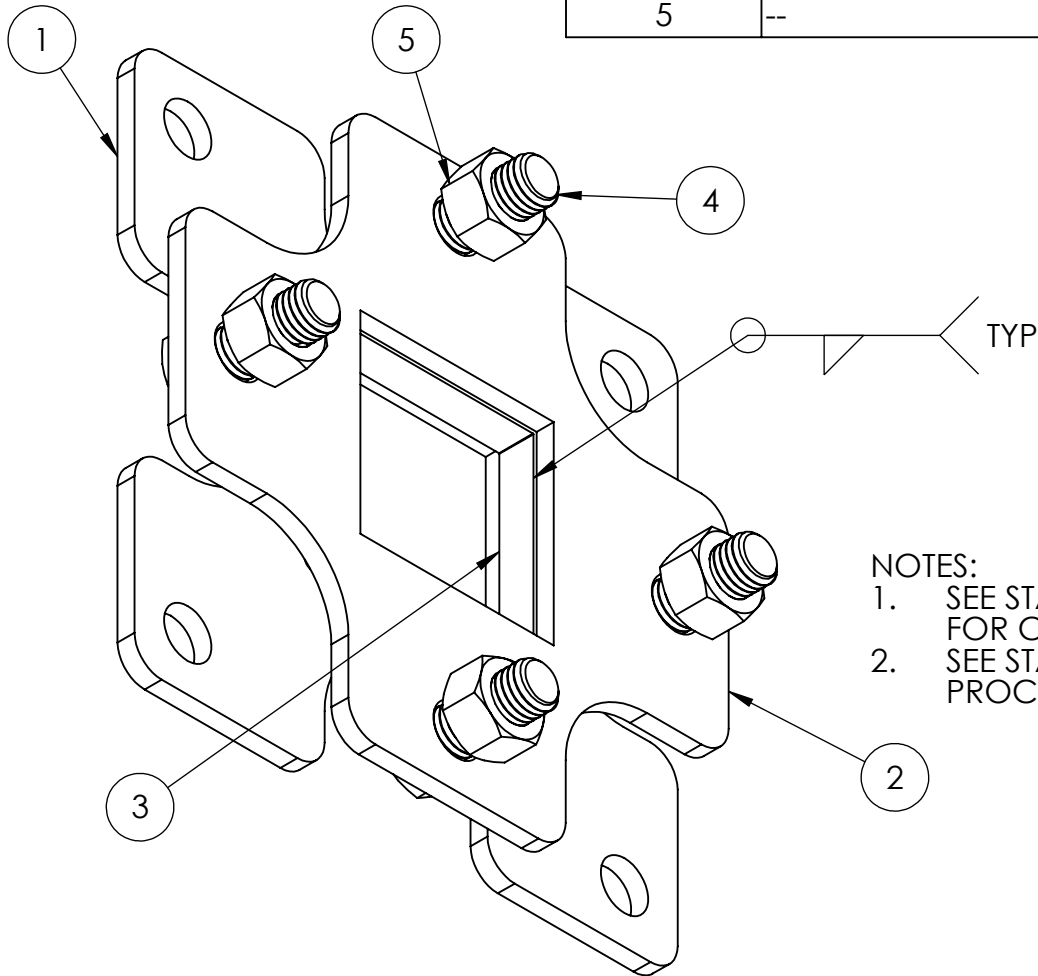


- NOTES:
1. MATERIAL OF CONSTRUCTION IS MILD STEEL COATED IN 2-4 MILS OF BLACK WRINKLE POWDER COAT.
 2. MOUNTS TO A STND 8" BASE PLATE AND WILL BREAK AWAY WHEN STUCK BY A VEHICLE.
 3. TRIM BOLTS TO BE FLUSH WITH THEIR NUT AFTER INSTALL.

UNLESS OTHERWISE SPECIFIED: DIMENSIONS ARE IN INCHES TOLERANCES: FRACTIONAL $\pm 1/32$ ANGULAR: $\pm 2^\circ$ TWO PLACE DECIMAL ± 0.010 THREE PLACE DECIMAL ± 0.005 INTERPRET GEOMETRIC TOLERANCING PER: ASME Y14.5 -2009	NAME	DATE
	DRAWN	
	CHECKED	
PROPRIETARY AND CONFIDENTIAL		
THE INFORMATION CONTAINED IN THIS DRAWING IS THE SOLE PROPERTY OF PEDESTALPRO LLC. ANY REPRODUCTION IN PART OR AS A WHOLE WITHOUT THE WRITTEN PERMISSION OF PEDESTALPRO LLC IS PROHIBITED.		

TITLE: INSTALLATION		SIZE A	PART NO. 88BRE-PRO-01-CRS	REV 0
Monday, December 14, 2020 10:34:02 AM		NO SCALE		SHEET 1 OF 5
WEIGHT: 5.243				

ITEM NO.	PART NUMBER	DESCRIPTION	QTY.
1	PLTBAS-8-BRK-1	BREAK AWAY BASE BOTTOM PLATE	1
2	PLTBAS-8-BRK-2	BREAK AWY BASE TOP PLATE	1
3	88BRE-PRO-01-CRS TUBE	BREAK AWAY TUBE	1
4	--	5/8-11 X 1" NYLON HEX BOLT	4
5	--	5/8-11 NYLON HEX NUT	4



NOTES:

1. SEE STANDARD PREPARATION AND COATING INSTRUCTIONS FOR COATING PROCEDURE AND COLOR.
2. SEE STANDARD PACKAGING INSTRUCTIONS FOR PACKAGING PROCEDURE.

UNLESS OTHERWISE SPECIFIED:

DIMENSIONS ARE IN INCHES
TOLERANCES:
FRACTIONAL $\pm 1/32$
ANGULAR: $\pm 2^\circ$
TWO PLACE DECIMAL ± 0.010
THREE PLACE DECIMAL ± 0.005

INTERPRET GEOMETRIC
TOLERANCING PER:
ASME Y14.5 -2009

NAME DATE

DRAWN

CHECKED

PROPRIETARY AND CONFIDENTIAL

THE INFORMATION CONTAINED IN THIS
DRAWING IS THE SOLE PROPERTY OF
PEDESTALPRO LLC. ANY REPRODUCTION
IN PART OR AS A WHOLE WITHOUT THE
WRITTEN PERMISSION OF PEDESTALPRO LLC
IS PROHIBITED.

TITLE:

ASSEMBLY

Monday, December
14, 2020 10:34:02 AM

WEIGHT: 5.243

SIZE
A

PART NO.
88BRE-PRO-01-CRS

REV
0

NO SCALE

SHEET 2 OF 5