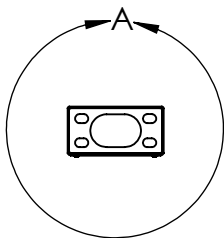
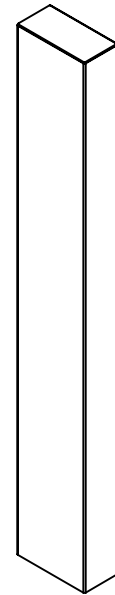


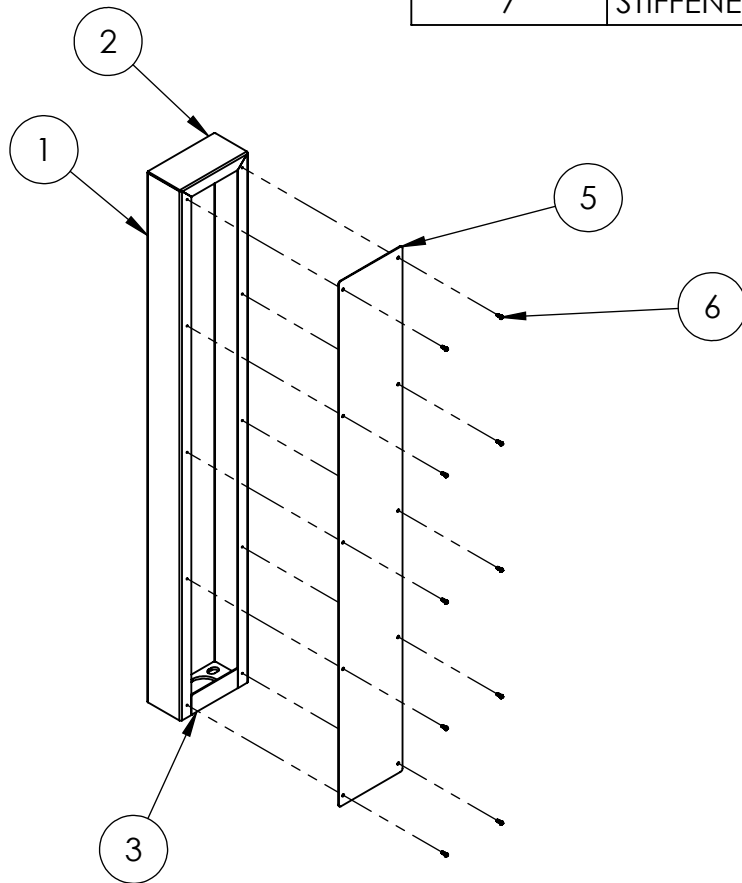
DETAIL A



NOTES:  
 1. MATERIAL OF CONSTRUCTION IS 304 SS, BRUSHED #4.

UNLESS OTHERWISE SPECIFIED:  DIMENSIONS ARE IN INCHES TOLERANCES: FRACTIONAL $\pm 1/32$ ANGULAR: $\pm 2^\circ$ TWO PLACE DECIMAL $\pm 0.010$ THREE PLACE DECIMAL $\pm 0.005$  INTERPRET GEOMETRIC TOLERANCING PER: ASME Y14.5 -2009	DRAWN	NAME	DATE	TITLE:  <h1>INSTALLATION</h1>	SIZE <b>A</b>	PART NO. 84TOW-PRO-01-304	REV <b>A</b>
	CHECKED						
	<b>PROPRIETARY AND CONFIDENTIAL</b>  THE INFORMATION CONTAINED IN THIS DRAWING IS THE SOLE PROPERTY OF PEDESTALPRO LLC. ANY REPRODUCTION IN PART OR AS A WHOLE WITHOUT THE WRITTEN PERMISSION OF PEDESTALPRO LLC IS PROHIBITED.	Friday, June 16, 2023 7:13:30 AM		WEIGHT: 45.659	NO SCALE	SHEET 1 OF 8	

ITEM NO.	PART NUMBER	DESCRIPTION	QTY.
1	MAIN BODY	MAIN BODY	1
2	TOP	TOP	1
3	BOTTOM CLOSURE	BOTTOM CLOSURE	1
4	BASE PLATE	BASE PLATE	1
5	ACCESS PANEL	ACCESS PANEL	1
6	--	8-32 X 1/2" PAN HEAD SCREW	10
7	STIFFENER	STIFFENER	1



NOTES:

- SEE STANDARD PREPARATION AND COATING INSTRUCTIONS FOR COATING PROCEDURE AND COLOR.
- SEE STANDARD PACKAGING INSTRUCTIONS FOR PACKAGING PROCEDURE.

UNLESS OTHERWISE SPECIFIED:

DIMENSIONS ARE IN INCHES  
TOLERANCES:  
FRACTIONAL  $\pm 1/32$   
ANGULAR:  $\pm 2^\circ$   
TWO PLACE DECIMAL  $\pm 0.010$   
THREE PLACE DECIMAL  $\pm 0.005$

INTERPRET GEOMETRIC  
TOLERANCING PER:  
ASME Y14.5 -2009

NAME	DATE
DRAWN	
CHECKED	

**PROPRIETARY AND CONFIDENTIAL**  
THE INFORMATION CONTAINED IN THIS DRAWING IS THE SOLE PROPERTY OF PEDESTALPRO LLC. ANY REPRODUCTION IN PART OR AS A WHOLE WITHOUT THE WRITTEN PERMISSION OF PEDESTALPRO LLC IS PROHIBITED.

TITLE:  
**ASSEMBLY**

Friday, June 16, 2023  
7:13:30 AM

WEIGHT: 45.659

SIZE  
**A**

PART NO.  
84TOW-PRO-01-304

NO SCALE

REV  
**A**

SHEET 2 OF 8