

NOTES:
 1. MATERIAL OF CONSTRUCTION IS 304 SS, BRUSHED #4.

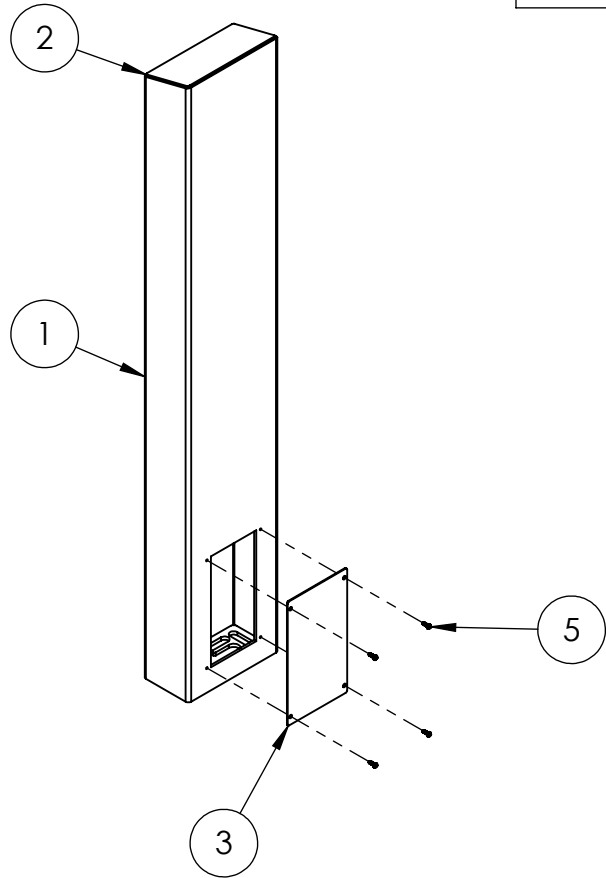
UNLESS OTHERWISE SPECIFIED:
 DIMENSIONS ARE IN INCHES
 TOLERANCES:
 FRACTIONAL $\pm 1/32$
 ANGULAR: $\pm 2^\circ$
 TWO PLACE DECIMAL ± 0.010
 THREE PLACE DECIMAL ± 0.005
 INTERPRET GEOMETRIC
 TOLERANCING PER:
 ASME Y14.5 -2009

NAME	DATE
DRAWN	
CHECKED	

TITLE:
INSTALLATION

WEIGHT: 58.247	SIZE A	PART NO. 84TOW-PAXT-01-304	REV 0
	NO SCALE	SHEET 1 OF 8	

ITEM NO.	PART NUMBER	DESCRIPTION	QTY.
1	84TOW-PAXT-01-304	8 X 4 WELDMENT	1
2	PLTCAP-84-84-30	84-30 STANDARD CAP PLATE	1
3	PLTACC-510	STANDARD ACCESS COVER	1
4	PLTBAS-84-84	STANDARD BASE PLATE	1
5	--	8-32 PAN HEAD SCREW	4
6	ENTRY PANELS FLUSH BRACKET	FLUSH MOUNT BRACKET	1



NOTES:

- SEE STANDARD PREPARATION AND COATING INSTRUCTIONS FOR COATING PROCEDURE AND COLOR.
- SEE STANDARD PACKAGING INSTRUCTIONS FOR PACKAGING PROCEDURE.

UNLESS OTHERWISE SPECIFIED:

DIMENSIONS ARE IN INCHES
TOLERANCES:
FRACTIONAL $\pm 1/32$
ANGULAR: $\pm 2^\circ$
TWO PLACE DECIMAL ± 0.010
THREE PLACE DECIMAL ± 0.005

INTERPRET GEOMETRIC
TOLERANCING PER:
ASME Y14.5 -2009

	NAME	DATE
DRAWN		
CHECKED		

TITLE:
ASSEMBLY

SIZE A	PART NO. 84TOW-PAXT-01-304	REV 0
WEIGHT: 58.247	NO SCALE	SHEET 2 OF 8