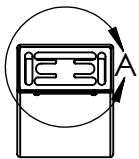
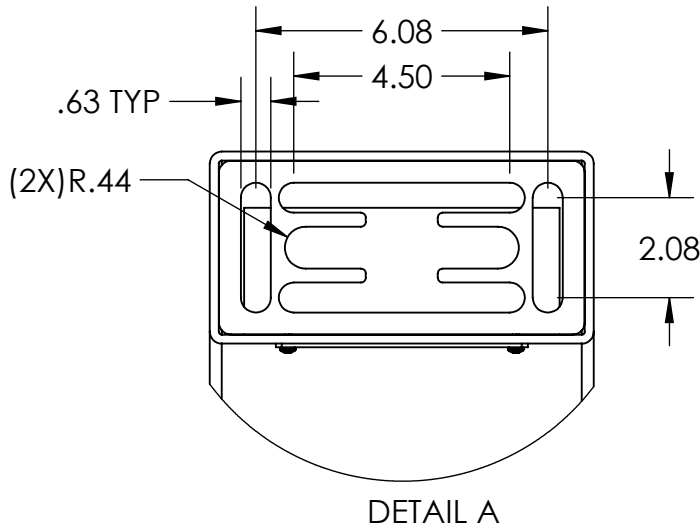
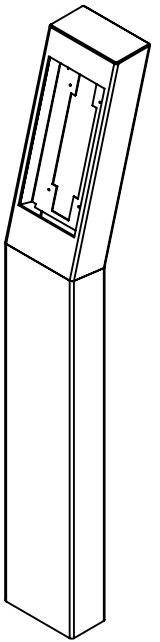
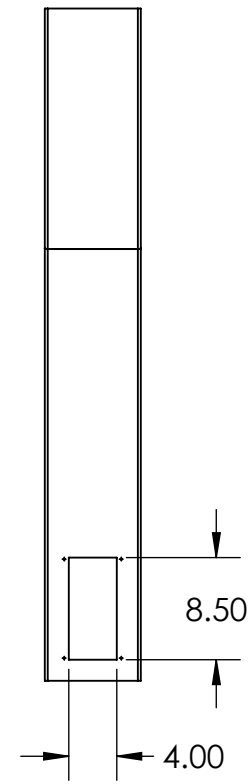
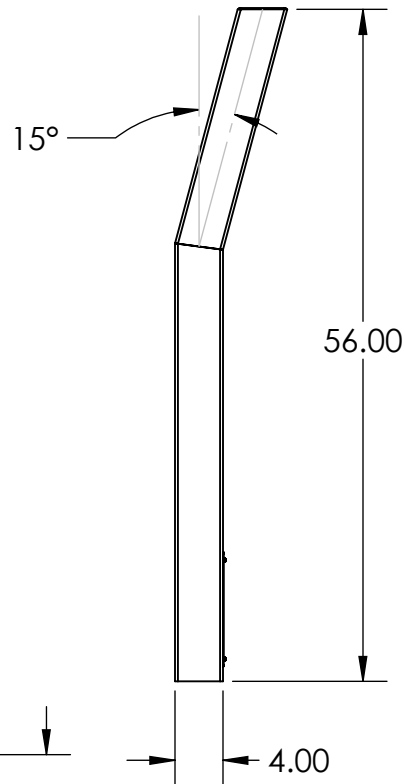
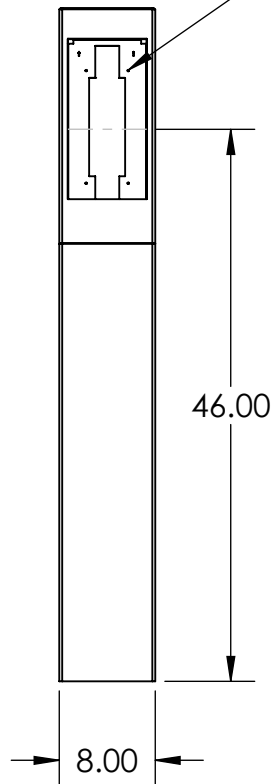


2N IP STYLE
 FLUSH MOUNT CUTOUT
 *REQUIRES 2N FLUSH MOUNT
 BACK BOX
 P/N: 02405-001
 8-32 TAPPED HOLES



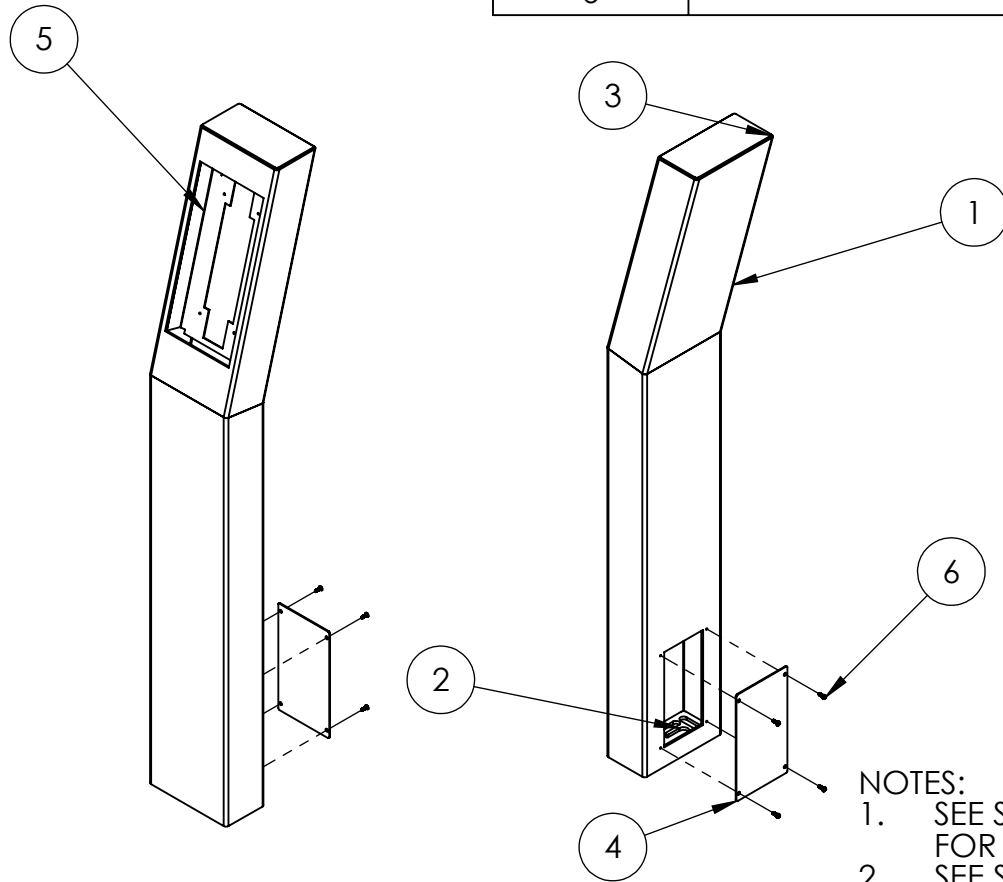
NOTES:
 1. MATERIAL OF CONSTRUCTION IS 304 SS, BRUSHED #4.

UNLESS OTHERWISE SPECIFIED:
 DIMENSIONS ARE IN INCHES
 TOLERANCES:
 FRACTIONAL $\pm 1/32$
 ANGULAR: $\pm 2^\circ$
 TWO PLACE DECIMAL ± 0.010
 THREE PLACE DECIMAL ± 0.005
 INTERPRET GEOMETRIC
 TOLERANCING PER:
 ASME Y14.5 -2009

NAME	DATE
DRAWN	
CHECKED	
PROPRIETARY AND CONFIDENTIAL	
THE INFORMATION CONTAINED IN THIS DRAWING IS THE SOLE PROPERTY OF PEDESTALPRO LLC. ANY REPRODUCTION IN PART OR AS A WHOLE WITHOUT THE WRITTEN PERMISSION OF PEDESTALPRO LLC IS PROHIBITED.	

TITLE: INSTALLATION		DATE: Monday, November 30, 2020 3:50:00 PM	SIZE: A	PART NO. 84TOW-2NIP-02-304	REV A
WEIGHT: 70.037		NO SCALE		SHEET 1 OF 9	

ITEM NO.	PART NUMBER	DESCRIPTION	QTY.
1	84TOW-2NIP-02-304	8X4 WELDMENT	1
2	PLTBAS-84-84	STANDARD BASE PLATE	1
3	PLTCAP-84-84-30	84-30 STANDARD CAP PLATE	1
4	PLTACC-510	STANDARD ACCESS COVER	1
5	BRA-IP2N-FM STYLE	FLUSH MOUNT BRACKET	1
6	--	8-32 X 1/2" PAN HEAD SCREW	32



NOTES:

1. SEE STANDARD PREPARATION AND COATING INSTRUCTIONS FOR COATING PROCEDURE AND COLOR.
2. SEE STANDARD PACKAGING INSTRUCTIONS FOR PACKAGING PROCEDURE.

UNLESS OTHERWISE SPECIFIED:
 DIMENSIONS ARE IN INCHES
 TOLERANCES:
 FRACTIONAL $\pm 1/32$
 ANGULAR: $\pm 2^\circ$
 TWO PLACE DECIMAL ± 0.010
 THREE PLACE DECIMAL ± 0.005
 INTERPRET GEOMETRIC TOLERANCING PER: ASME Y14.5 -2009

NAME	DATE
DRAWN	
CHECKED	
PROPRIETARY AND CONFIDENTIAL	
THE INFORMATION CONTAINED IN THIS DRAWING IS THE SOLE PROPERTY OF PEDESTALPRO LLC. ANY REPRODUCTION IN PART OR AS A WHOLE WITHOUT THE WRITTEN PERMISSION OF PEDESTALPRO LLC IS PROHIBITED.	

TITLE: ASSEMBLY		SIZE A	PART NO. 84TOW-2NIP-02-304	REV A
Monday, November 30, 2020 3:50:00 PM		NO SCALE		SHEET 2 OF 9
WEIGHT: 70.037				