

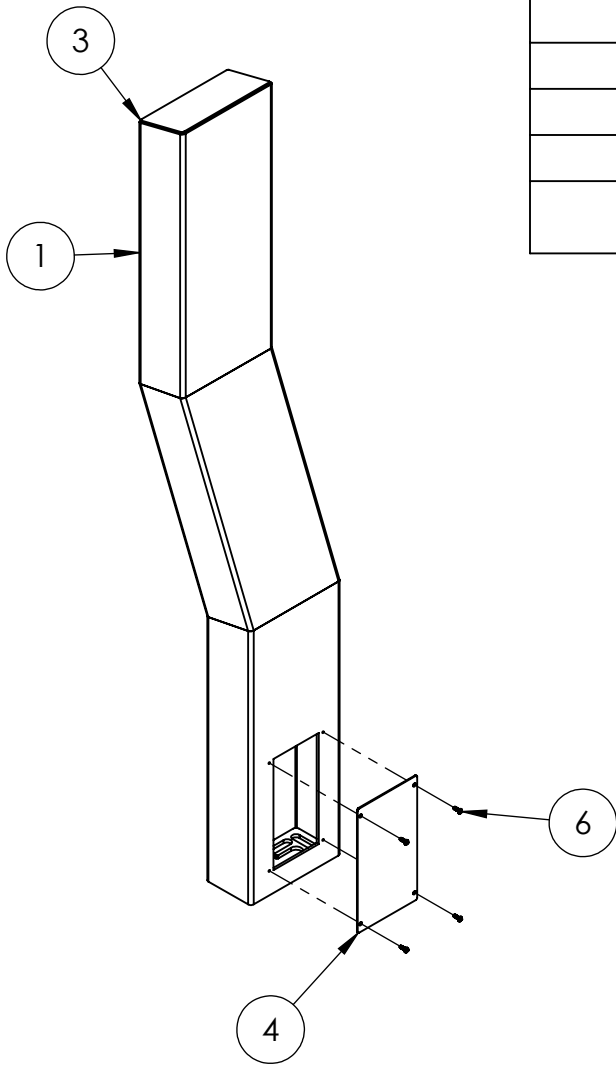
NOTES:
1. MATERIAL OF CONSTRUCTION IS 304 SS, BRUSHED #4.

UNLESS OTHERWISE SPECIFIED:
DIMENSIONS ARE IN INCHES
TOLERANCES:
FRACTIONAL $\pm 1/32$
ANGULAR: $\pm 2^\circ$
TWO PLACE DECIMAL ± 0.010
THREE PLACE DECIMAL ± 0.005
INTERPRET GEOMETRIC TOLERANCING PER: ASME Y14.5-2009

NAME	DATE
DRAWN	
CHECKED	
PROPRIETARY AND CONFIDENTIAL	
THE INFORMATION CONTAINED IN THIS DRAWING IS THE SOLE PROPERTY OF PEDESTALPRO LLC. ANY REPRODUCTION IN PART OR AS A WHOLE WITHOUT THE WRITTEN PERMISSION OF PEDESTALPRO LLC IS PROHIBITED.	

TITLE:
INSTALLATION
Monday, November 30, 2020 3:50:00 PM
WEIGHT: 73.500

SIZE A	PART NO. 84TOW-2NIP-01-304	REV A
NO SCALE		SHEET 1 OF 8



ITEM NO.	PART NUMBER	DESCRIPTION	QTY.
1	84TOW-2NIP-01-304	8X4 WELDMENT	1
2	PLTBAS-84-84	STANDARD BASE PLATE	1
3	PLTCAP-84-84-30	84-30 STANDARD CAP PLATE	1
4	PLTACC-510	STANDARD ACCESS COVER	1
5	PLT-IP2N-STANDOFF	IP2N STANDOFF	2
6	--	8-32 X 1/2" PAN HEAD SCREW	4
8	IP 2N VERSO (DUAL)		1

NOTES:

1. SEE STANDARD PREPARATION AND COATING INSTRUCTIONS FOR COATING PROCEDURE AND COLOR.
2. SEE STANDARD PACKAGING INSTRUCTIONS FOR PACKAGING PROCEDURE.

UNLESS OTHERWISE SPECIFIED:
 DIMENSIONS ARE IN INCHES
 TOLERANCES:
 FRACTIONAL $\pm 1/32$
 ANGULAR: $\pm 2^\circ$
 TWO PLACE DECIMAL ± 0.010
 THREE PLACE DECIMAL ± 0.005
 INTERPRET GEOMETRIC
 TOLERANCING PER:
 ASME Y14.5 -2009

NAME	DATE
DRAWN	
CHECKED	

PROPRIETARY AND CONFIDENTIAL
 THE INFORMATION CONTAINED IN THIS DRAWING IS THE SOLE PROPERTY OF PEDESTALPRO LLC. ANY REPRODUCTION IN PART OR AS A WHOLE WITHOUT THE WRITTEN PERMISSION OF PEDESTALPRO LLC IS PROHIBITED.

TITLE: ASSEMBLY		SIZE A	PART NO. 84TOW-2NIP-01-304	REV A
Monday, November 30, 2020 3:50:00 PM		NO SCALE		SHEET 2 OF 8
WEIGHT: 73.500				