

- NOTES:
1. MOUNTS THE FOLLOWING CONTROL 4 MODELS: C4-DS2FM AND C4-DS2FMKP
  2. 2N MODELS: VERSO 3 MODULE

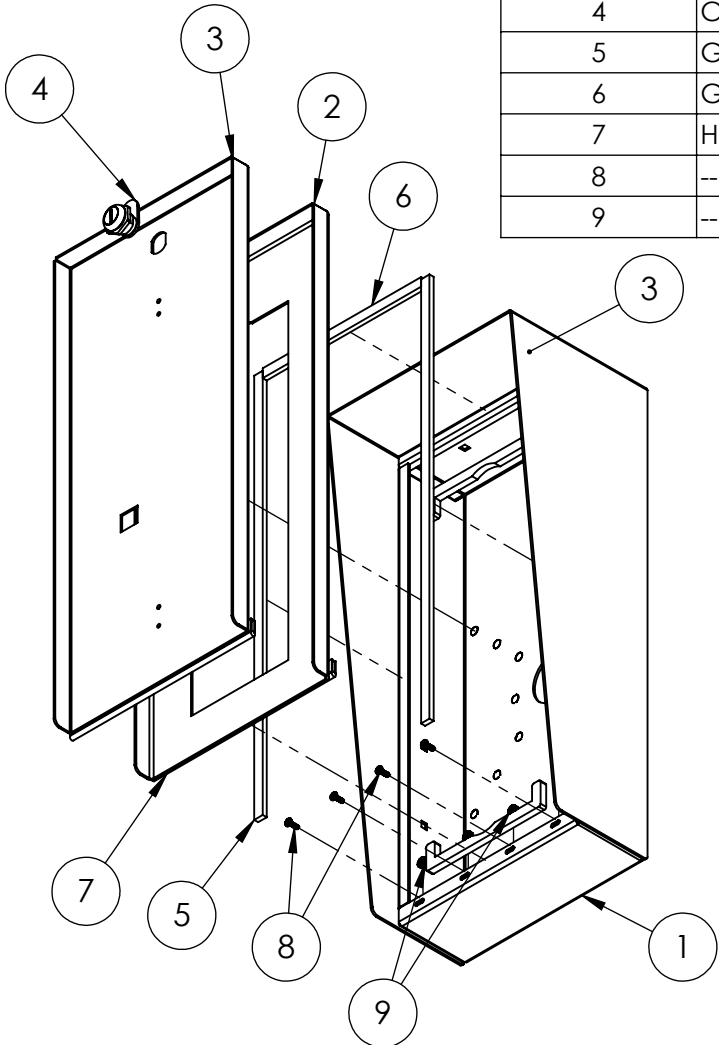
UNLESS OTHERWISE SPECIFIED:  
 DIMENSIONS ARE IN INCHES  
 TOLERANCES:  
 FRACTIONAL  $\pm 1/32$   
 ANGULAR:  $\pm 2^\circ$   
 TWO PLACE DECIMAL  $\pm 0.010$   
 THREE PLACE DECIMAL  $\pm 0.005$   
 INTERPRET GEOMETRIC  
 TOLERANCING PER:  
 ASME Y14.5 -2009

NAME	DATE
DRAWN	
CHECKED	

TITLE:  
**INSTALLATION**

WEIGHT:	NO SCALE	SHEET 1 OF 8
SIZE <b>A</b>	PART NO. 818HOU-PRO-001-CRS	REV <b>A</b>

ITEM NO.	PART NUMBER	DESCRIPTION	QTY.
1	818HOU-PRO-001-CRS ENCLOSURE	ENCLOSURE WELDMENT	1
2	818HOU-PRO-001-CRS DOOR	DOOR WELDMENT	1
3	818HOU-PRO-001-CRS DOOR 2	DOOR 2 WELDMENT	1
4	CAM LOCK	STRAIGHT CAM	1
5	GASKET SIDE	3/8 X .150 WEATHERSTRIPPING	2
6	GASKET TOP	3/8 X .150 WEATHERSTRIPPING	1
7	HINGE	PIANO HINGE	1
8	--	6-32 X 3/8 SS BUTTON HEAD SCREW	4
9	--	6-32 EXTERNAL TOOTH LOCK NUT	4



- NOTES:
1. SEE STANDARD PREPARATION AND COATING INSTRUCTIONS FOR COATING PROCEDURE AND COLOR.
  2. SEE STANDARD PACKAGING INSTRUCTIONS FOR PACKAGING PROCEDURE.

UNLESS OTHERWISE SPECIFIED:  
 DIMENSIONS ARE IN INCHES  
 TOLERANCES:  
 FRACTIONAL ± 1/32  
 ANGULAR: ± 2°  
 TWO PLACE DECIMAL ± 0.010  
 THREE PLACE DECIMAL ± 0.005  
 INTERPRET GEOMETRIC TOLERANCING PER: ASME Y14.5 -2009

NAME	DATE
DRAWN	
CHECKED	

TITLE: <b>ASSEMBLY</b>		SIZE <b>A</b>	PART NO. 818HOU-PRO-001-CRS	REV <b>A</b>
WEIGHT:		NO SCALE		SHEET 2 OF 8