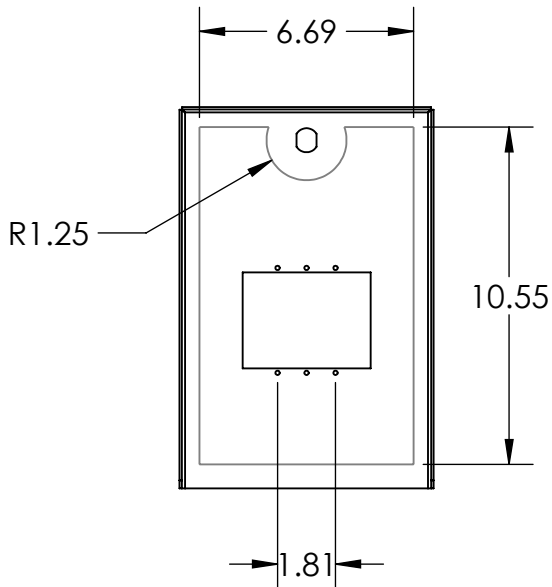
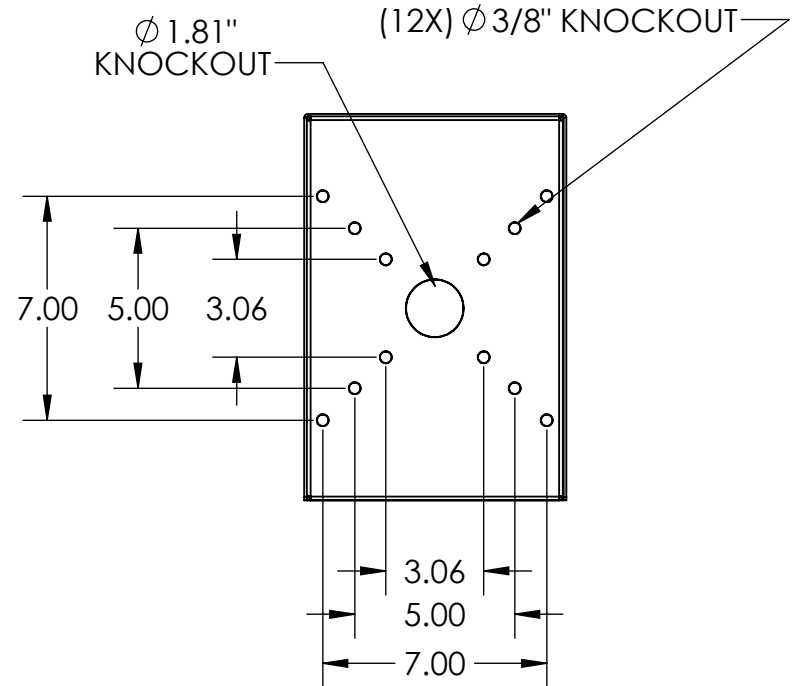
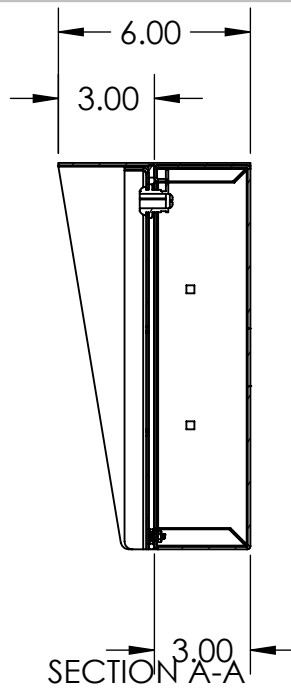
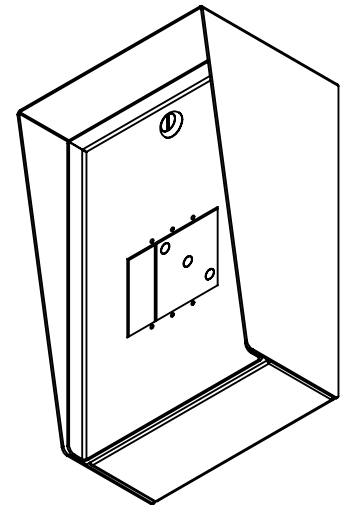


(6X) DRILL #29
TAP 8-32



(DOUBLE GANG)
CUTOUT FITS:
E-1600-03-IP, E-1600-03-IPEWP
E-1600-03B, E-1600-03B-EWP

NOTES:
1. MATERIAL OF CONSTRUCTION IS 304 SS, BRUSHED #4.



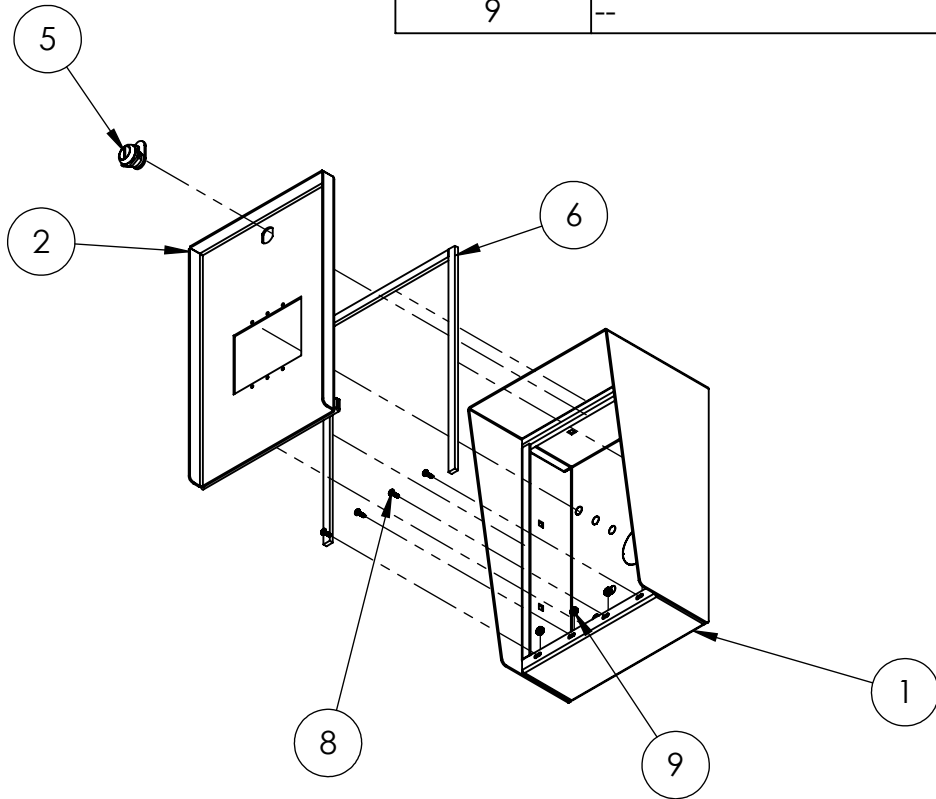
UNLESS OTHERWISE SPECIFIED:
DIMENSIONS ARE IN INCHES
TOLERANCES:
FRACTIONAL $\pm 1/32$
ANGULAR: $\pm 2^\circ$
TWO PLACE DECIMAL ± 0.010
THREE PLACE DECIMAL ± 0.005
INTERPRET GEOMETRIC
TOLERANCING PER:
ASME Y14.5 -2009

NAME	DATE
DRAWN	
CHECKED	

TITLE:
INSTALLATION

SIZE A	PART NO. 812HOU-VIKI-01-304	REV A
WEIGHT: 11.490		NO SCALE
SHEET 1 OF 6		

ITEM NO.	PART NUMBER	DESCRIPTION	QTY.
1	812HOU-VIKI-01-304 ENCLOSURE	ENCLOSURE WELDMENT	1
2	812HOU-VIKI-01-304 DOOR	DOOR WELDMENT	1
3	812HOU-VIKI-01-304 HOOD	HOOD	1
4	HINGE	PIANO HINGE	1
5	CAM LOCK	STRAIGHT CAM	1
6	GASKET SIDE	3/8" X .150 WEATHERSTRIPPING	2
7	GASKET TOP	3/8" X .150 WEATHERSTRIPPING	1
8	--	6-32 PAN HEAD SCREW	4
9	--	6-32 EXTERNAL TOOTH LOCK NUT	4



NOTES:

- SEE STANDARD PREPARATION AND COATING INSTRUCTIONS FOR COATING PROCEDURE AND COLOR.
- SEE STANDARD PACKAGING INSTRUCTIONS FOR PACKAGING PROCEDURE.

UNLESS OTHERWISE SPECIFIED:

DIMENSIONS ARE IN INCHES
TOLERANCES:
FRACTIONAL $\pm 1/32$
ANGULAR: $\pm 2^\circ$
TWO PLACE DECIMAL ± 0.010
THREE PLACE DECIMAL ± 0.005

INTERPRET GEOMETRIC
TOLERANCING PER:
ASME Y14.5 -2009

	NAME	DATE
DRAWN		
CHECKED		

TITLE:
ASSEMBLY

WEIGHT: 11.490	SIZE A	PART NO. 812HOU-VIKI-01-304	REV A
	NO SCALE	SHEET 2 OF 6	