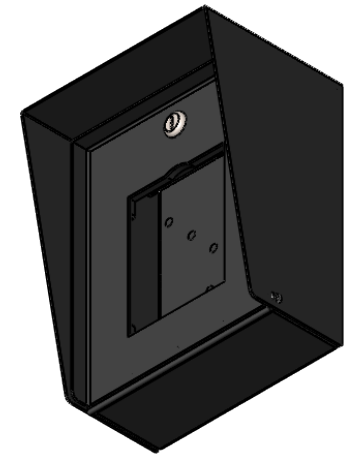
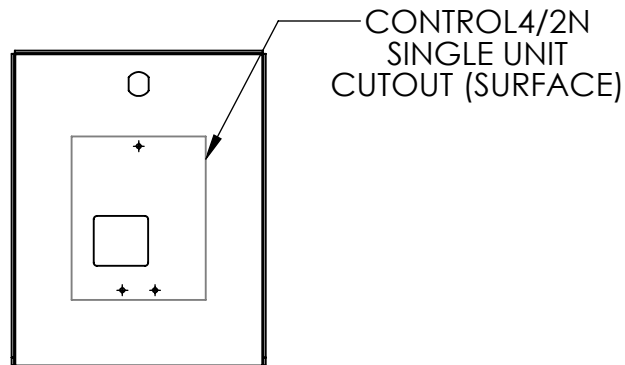
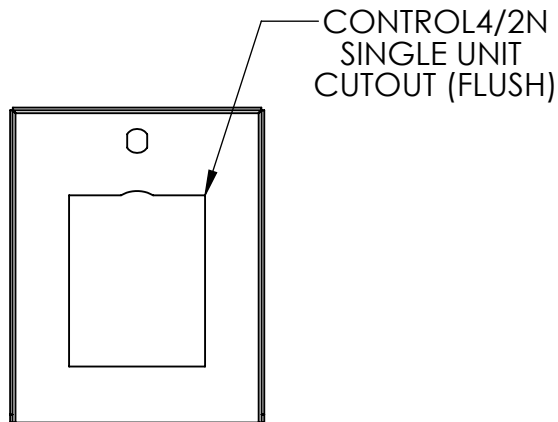
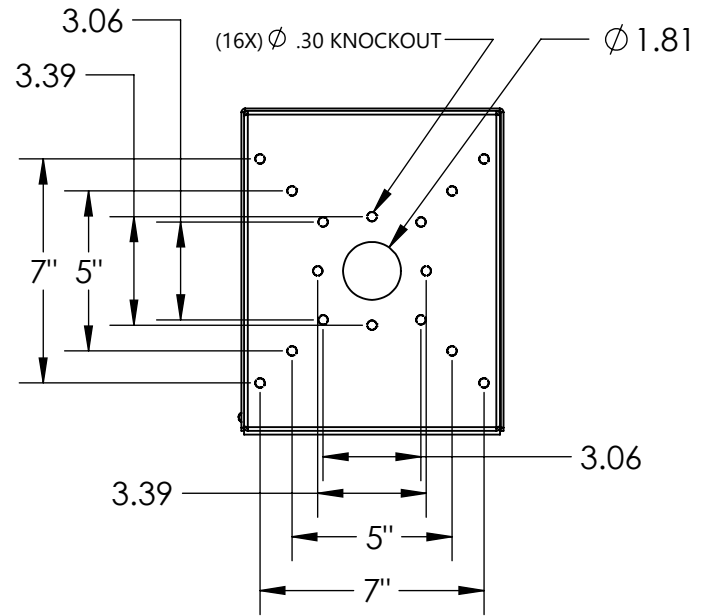


SECTION A-A



UNLESS OTHERWISE SPECIFIED:  
 DIMENSIONS ARE IN INCHES  
 TOLERANCES:  
 FRACTIONAL  $\pm 1/32$   
 ANGULAR:  $\pm 2^\circ$   
 TWO PLACE DECIMAL  $\pm 0.010$   
 THREE PLACE DECIMAL  $\pm 0.005$

INTERPRET GEOMETRIC  
 TOLERANCING PER:  
 ASME Y14.5 -2009

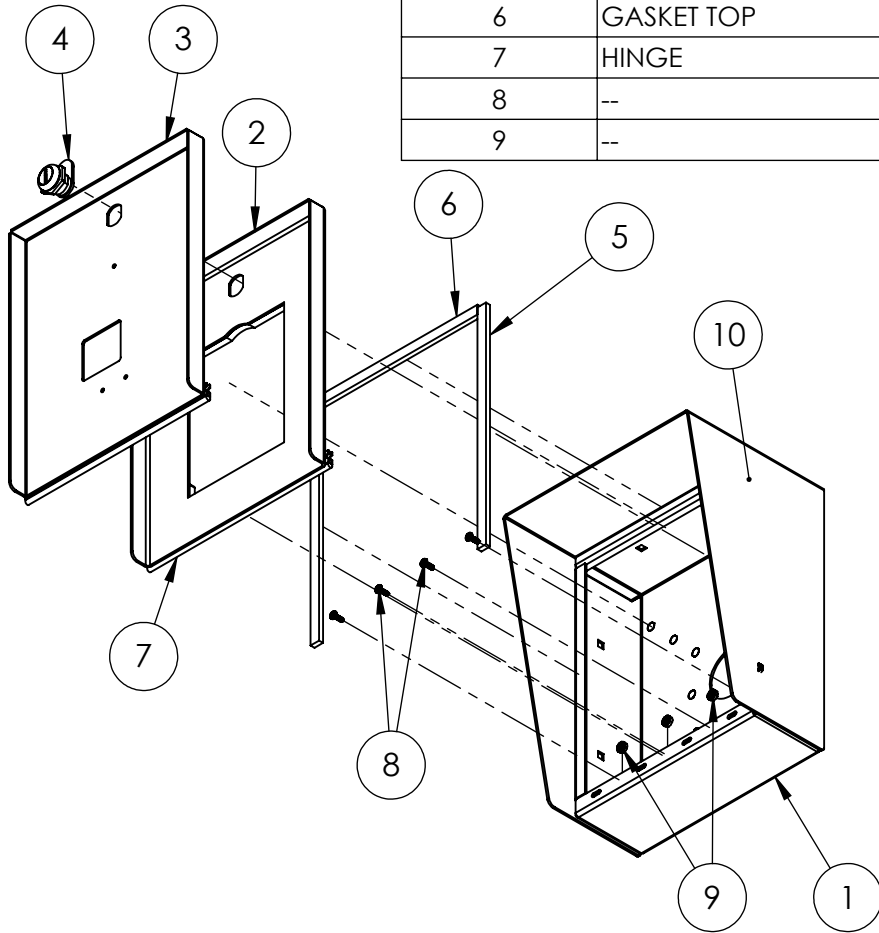
	NAME	DATE
DRAWN		
CHECKED		

TITLE:  
**INSTALLATION**

SIZE	PART NO.	REV
<b>A</b>	810HOU-PRO-001-CRS	<b>A</b>

WEIGHT: NO SCALE SHEET 1 OF 8

ITEM NO.	PART NUMBER	DESCRIPTION	QTY.
1	810HOU-PRO-001-CRS ENCLOSURE	ENCLOSURE WELDMENT	1
2	810HOU-PRO-001-CRS DOOR	DOOR WELDMENT	1
3	810HOU-PRO-001-CRS DOOR 2	2N IP SOLO SURFACE MOUNT DOOR	1
4	CAM LOCK	STRAIGHT CAM	1
5	GASKET SIDE	3/8 X .150 WEATHERSTRIPPING	2
6	GASKET TOP	3/8 X .150 WEATHERSTRIPPING	1
7	HINGE	PIANO HINGE	2
8	--	6-32 X 3/8 SS BUTTON HEAD SCREW	4
9	--	6-32 EXTERNAL TOOTH LOCK NUT	4



NOTES:

1. SEE STANDARD PREPARATION AND COATING INSTRUCTIONS FOR COATING PROCEDURE AND COLOR.
2. SEE STANDARD PACKAGING INSTRUCTIONS FOR PACKAGING PROCEDURE.

UNLESS OTHERWISE SPECIFIED:

DIMENSIONS ARE IN INCHES  
TOLERANCES:  
FRACTIONAL  $\pm 1/32$   
ANGULAR:  $\pm 2^\circ$   
TWO PLACE DECIMAL  $\pm 0.010$   
THREE PLACE DECIMAL  $\pm 0.005$

INTERPRET GEOMETRIC  
TOLERANCING PER:  
ASME Y14.5 -2009

NAME DATE

DRAWN  
CHECKED

TITLE:

ASSEMBLY

SIZE  
**A**

PART NO.  
810HOU-PRO-001-CRS

REV  
**A**

WEIGHT:

NO SCALE

SHEET 2 OF 8