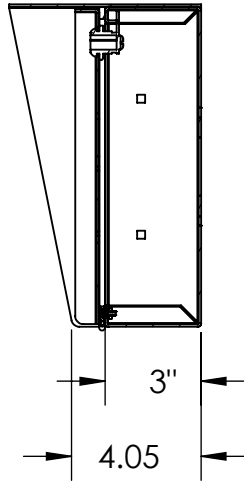
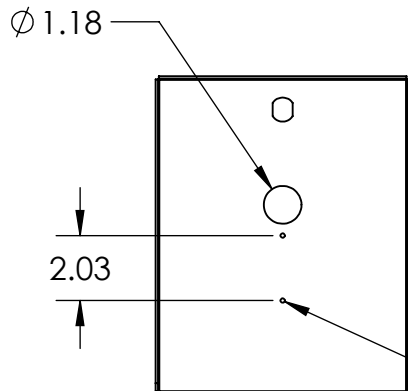
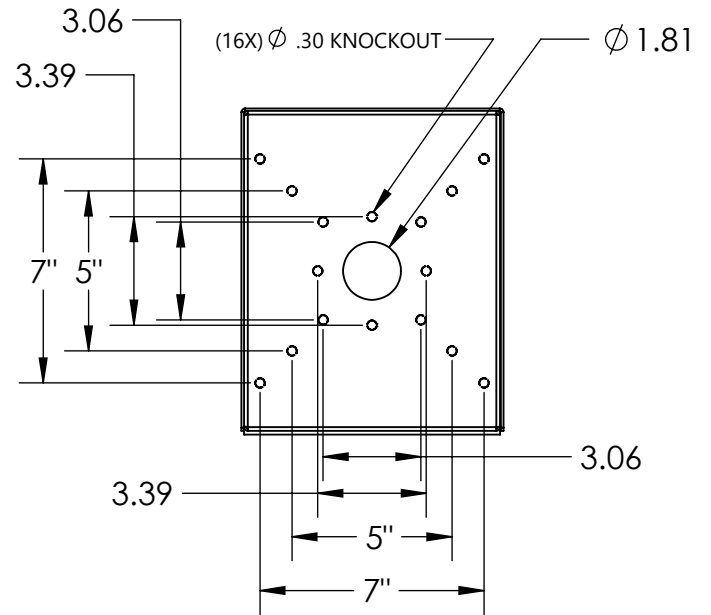


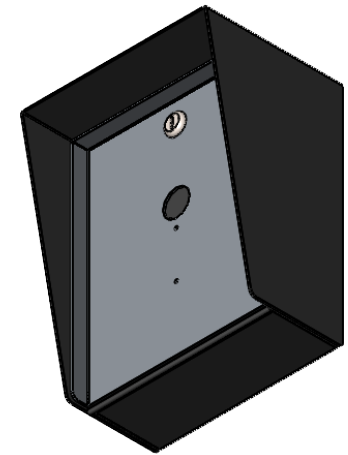
2N ACCESS UNIT M
SURFACE MOUNT



SECTION A-A



(2X)DRILL #29
TAP 8-32



- NOTES:
1. MATERIAL OF CONSTRUCTION IS 304 SS, BRUSHED #4.

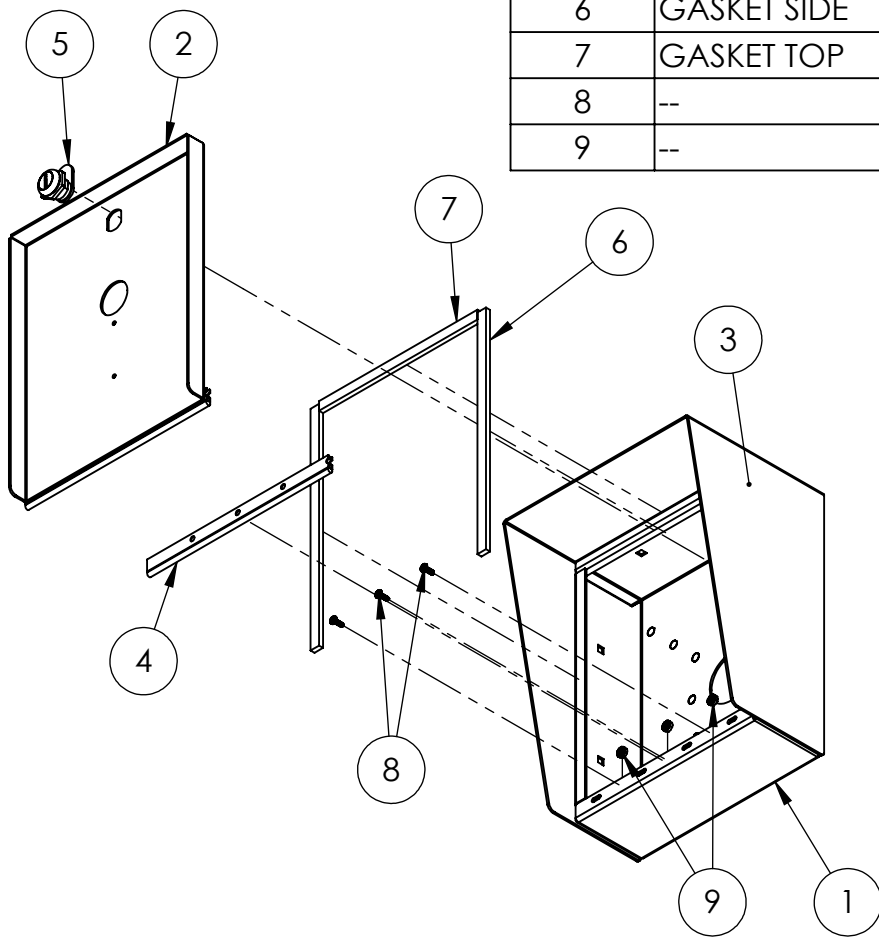
UNLESS OTHERWISE SPECIFIED:
DIMENSIONS ARE IN INCHES
TOLERANCES:
FRACTIONAL $\pm 1/32$
ANGULAR: $\pm 2^\circ$
TWO PLACE DECIMAL ± 0.010
THREE PLACE DECIMAL ± 0.005
INTERPRET GEOMETRIC
TOLERANCING PER:
ASME Y14.5 -2009

| NAME | DATE |
|---------|------|
| DRAWN | |
| CHECKED | |

TITLE:
INSTALLATION

| | | |
|------------------|---------------------------------|-----------------|
| SIZE A | PART NO. 810HOU-2NIP-010-304 | REV A |
| WEIGHT: | NO SCALE | SHEET 1 OF 6 |

| ITEM NO. | PART NUMBER | DESCRIPTION | QTY. |
|----------|-------------------------------|---------------------------------|------|
| 1 | 810HOU-2NIP-010-304 ENCLOSURE | ENCLOSURE | 1 |
| 2 | 810HOU-2NIP-010-304 DOOR | DOOR | 1 |
| 3 | 810HOU-2NIP-010-304 HOOD | HOOD | 1 |
| 4 | HINGE | PIANO HINGE | 1 |
| 5 | CAM LOCK | Straight Cam | 1 |
| 6 | GASKET SIDE | 3/8 X .150 WATHERSTRIPPING | 2 |
| 7 | GASKET TOP | 3/8 X .150 WATHERSTRIPPING | 1 |
| 8 | -- | 6-32 X 3/8 SS BUTTON HEAD SCREW | 3 |
| 9 | -- | 6-32 EXTERNAL TOOTH LOCK NUT | 3 |



- NOTES:
1. SEE STANDARD PREPARATION AND COATING INSTRUCTIONS FOR COATING PROCEDURE AND COLOR.
 2. SEE STANDARD PACKAGING INSTRUCTIONS FOR PACKAGING PROCEDURE.

UNLESS OTHERWISE SPECIFIED:
 DIMENSIONS ARE IN INCHES
 TOLERANCES:
 FRACTIONAL $\pm 1/32$
 ANGULAR: $\pm 2^\circ$
 TWO PLACE DECIMAL ± 0.010
 THREE PLACE DECIMAL ± 0.005
 INTERPRET GEOMETRIC TOLERANCING PER: ASME Y14.5 -2009

| NAME | DATE |
|---------|------|
| DRAWN | |
| CHECKED | |

TITLE:
ASSEMBLY

| | | |
|------------------|---------------------------------|-----------------|
| SIZE A | PART NO. 810HOU-2NIP-010-304 | REV A |
| WEIGHT: | NO SCALE | SHEET 2 OF 6 |