

NOTES:  
1. MATERIAL OF CONSTRUCTION IS 304 SS UNTREATED.

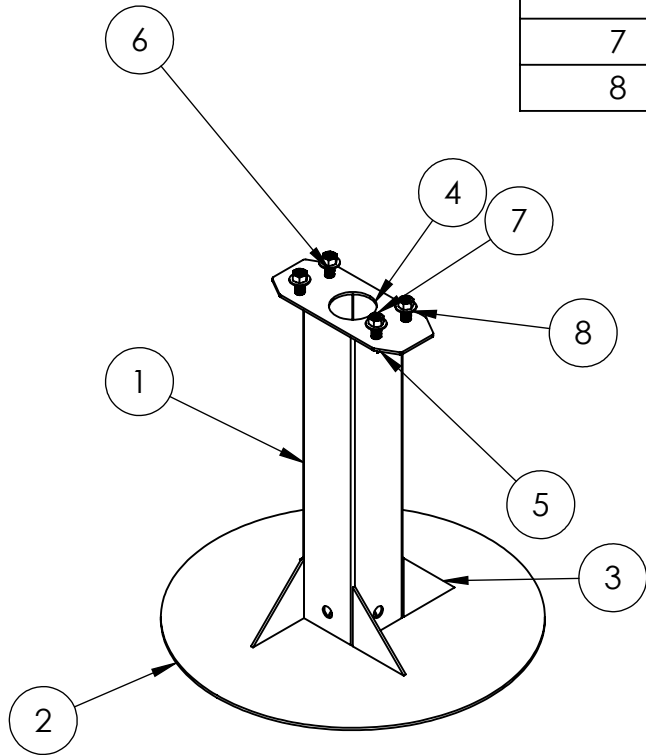
UNLESS OTHERWISE SPECIFIED:  
DIMENSIONS ARE IN INCHES  
TOLERANCES:  
FRACTIONAL  $\pm 1/32$   
ANGULAR:  $\pm 2^\circ$   
TWO PLACE DECIMAL  $\pm 0.010$   
THREE PLACE DECIMAL  $\pm 0.005$   
INTERPRET GEOMETRIC  
TOLERANCING PER:  
ASME Y14.5 -2009

NAME	DATE
DRAWN	
CHECKED	
<b>PROPRIETARY AND CONFIDENTIAL</b>	
THE INFORMATION CONTAINED IN THIS DRAWING IS THE SOLE PROPERTY OF PEDESTALPRO LLC. ANY REPRODUCTION IN PART OR AS A WHOLE WITHOUT THE WRITTEN PERMISSION OF PEDESTALPRO LLC IS PROHIBITED.	

TITLE:  
**INSTALLATION**  
Monday, April 25, 2022  
9:22:07 AM  
WEIGHT: 107.891

SIZE <b>A</b>	PART NO. 66TOW-EMER-01-304	REV <b>A</b>
NO SCALE		SHEET 1 OF 8

ITEM NO.	PART NUMBER	DESCRIPTION	QTY.
1	66TOW-EMER-01-304 BODY	FOUNDATION RISER	1
2	66TOW-EMER-01-304 ANCHOR	ANCHOR PLATE	1
3	66TOW-EMER-01-304 GUSSET	GUSSET	4
4	66TOW-EMER-01-304 BASE	MOUNTING PLATE	1
5	66TOW-EMER-01-304 SMALL GUSSET	SMALL GUSSET	2
6	--	18-8 STAINLESS STEEL HEX HEAD SCREW	4
7	--	18-8 STAINLESS STEEL HEX NUT	4
8	--	18-8 STAINLESS STEEL WASHER	4



NOTES:

1. SEE STANDARD PREPARATION AND COATING INSTRUCTIONS FOR COATING PROCEDURE AND COLOR.
2. SEE STANDARD PACKAGING INSTRUCTIONS FOR PACKAGING PROCEDURE.

UNLESS OTHERWISE SPECIFIED:

DIMENSIONS ARE IN INCHES  
TOLERANCES:  
FRACTIONAL  $\pm 1/32$   
ANGULAR:  $\pm 2^\circ$   
TWO PLACE DECIMAL  $\pm 0.010$   
THREE PLACE DECIMAL  $\pm 0.005$

INTERPRET GEOMETRIC  
TOLERANCING PER:  
ASME Y14.5 -2009

NAME	DATE
DRAWN	
CHECKED	

**PROPRIETARY AND CONFIDENTIAL**  
THE INFORMATION CONTAINED IN THIS DRAWING IS THE SOLE PROPERTY OF PEDESTALPRO LLC. ANY REPRODUCTION IN PART OR AS A WHOLE WITHOUT THE WRITTEN PERMISSION OF PEDESTALPRO LLC IS PROHIBITED.

TITLE: <b>ASSEMBLY</b>		DATE: Monday, April 25, 2022 9:22:07 AM	SIZE: <b>A</b>	PART NO. 66TOW-EMER-01-304	REV <b>A</b>
WEIGHT: 107.891		NO SCALE		SHEET 2 OF 8	