

NOTES:
 1. MATERIAL OF CONSTRUCTION IS MILD STEEL COATED IN 2-4 MILS OF BLACK WRINKLE POWDER COAT.

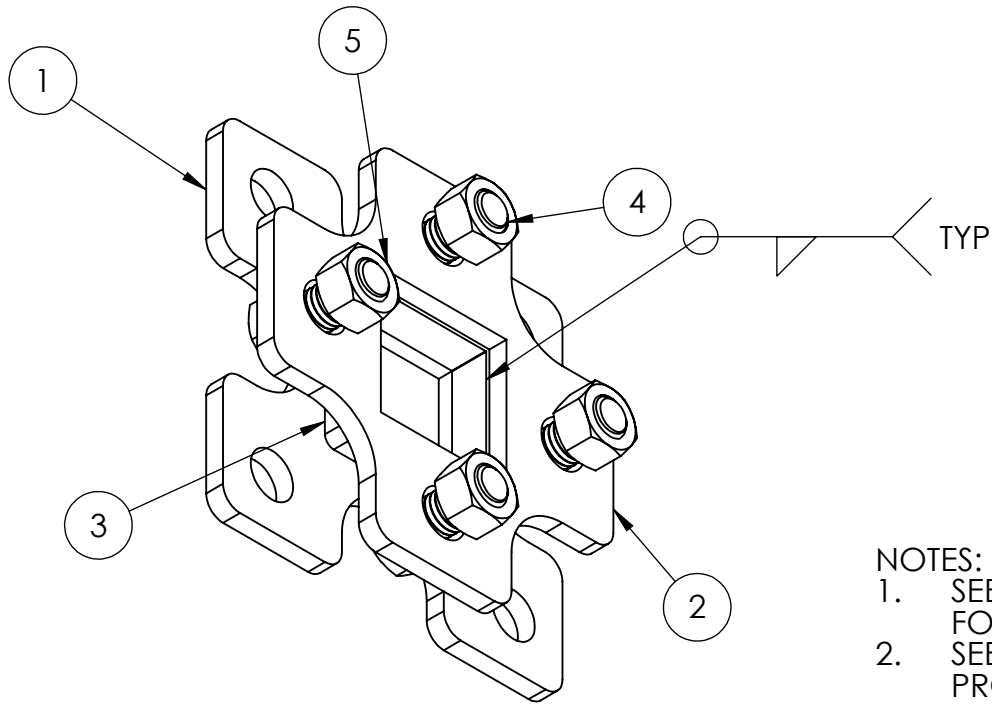
UNLESS OTHERWISE SPECIFIED:
 DIMENSIONS ARE IN INCHES
 TOLERANCES:
 FRACTIONAL $\pm 1/32$
 ANGULAR: $\pm 2^\circ$
 TWO PLACE DECIMAL ± 0.010
 THREE PLACE DECIMAL ± 0.005
 INTERPRET GEOMETRIC TOLERANCING PER: ASME Y14.5 -2009

NAME	DATE
DRAWN	
CHECKED	

TITLE:
INSTALLATION

WEIGHT: 2.015	SIZE A	PART NO. 55BRE-PRO-01-CRS	REV 0
	NO SCALE	SHEET 1 OF 5	

ITEM NO.	PART NUMBER	DESCRIPTION	QTY.
1	PLTBAS-5-BRK-1	BREAK AWAY BASE BOTTOM PLATE	1
2	PLTBAS-5-BRK-2	BREAK AWY BASE TOP PLATE	1
3	55BRE-PRO-01-CRS TUBE	BREAK AWAY TUBE	1
4	--	1/2-13 X 1" NYLON HEX BOLT	4
5	--	1/2-13 NYLON HEX NUT	4



NOTES:

1. SEE STANDARD PREPARATION AND COATING INSTRUCTIONS FOR COATING PROCEDURE AND COLOR.
2. SEE STANDARD PACKAGING INSTRUCTIONS FOR PACKAGING PROCEDURE.

UNLESS OTHERWISE SPECIFIED:

DIMENSIONS ARE IN INCHES
TOLERANCES:
FRACTIONAL $\pm 1/32$
ANGULAR: $\pm 2^\circ$
TWO PLACE DECIMAL ± 0.010
THREE PLACE DECIMAL ± 0.005

INTERPRET GEOMETRIC
TOLERANCING PER:
ASME Y14.5 -2009

NAME	DATE
DRAWN	
CHECKED	

TITLE:
ASSEMBLY

WEIGHT: 2.015	SIZE A	PART NO. 55BRE-PRO-01-CRS	REV 0
	NO SCALE	SHEET 2 OF 5	