

- NOTES:
 1. MATERIAL OF CONSTRUCTION IS MILD STEEL COATED IN 2-4 MILS BLACK WRINKLE POWDER COATING.
 2. CUTOUT FOR HID 6005 PROXPOINT PLUS READER.

UNLESS OTHERWISE SPECIFIED:

DIMENSIONS ARE IN INCHES
 TOLERANCES:
 FRACTIONAL $\pm 1/32$
 ANGULAR: $\pm 2^\circ$
 TWO PLACE DECIMAL ± 0.010
 THREE PLACE DECIMAL ± 0.005

INTERPRET GEOMETRIC
 TOLERANCING PER:
 ASME Y14.5 -2009

DRAWN
 CHECKED

NAME DATE

TITLE:

INSTALLATION

WEIGHT: 2.674

SIZE
A

PART NO.

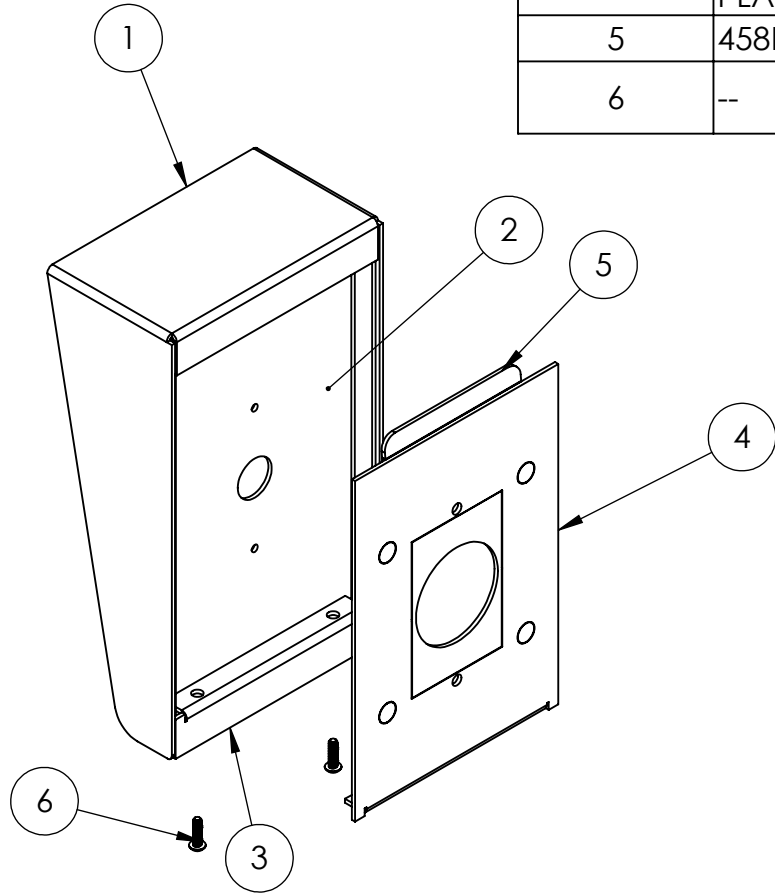
458HOO-HID-01-CRS

REV
0

NO SCALE

SHEET 1 OF 8

ITEM NO.	PART NUMBER	DESCRIPTION	QTY.
1	J-HOOD-CS-4.5X8	HOOD ASSEMBLY	1
2	458HOO-HID-01-CRS MID PLATE	DEVICE MOUNTING PLATE	1
3	458HOO-HID-01-CRS BOTTOM CLOSURE	HOOD ASSEMBLY	1
4	4.58HOO-HID-01-CRS BACK PLATE	MOUNTING PLATE	1
5	458HOO-HID-01-CRS HOOK	MOUNTING HOOK	1
6	--	6-32 X 1/2" PAN HEAD SECURITY SCREW	2



UNLESS OTHERWISE SPECIFIED:

DIMENSIONS ARE IN INCHES
TOLERANCES:
FRACTIONAL $\pm 1/32$
ANGULAR: $\pm 2^\circ$
TWO PLACE DECIMAL ± 0.010
THREE PLACE DECIMAL ± 0.005

INTERPRET GEOMETRIC
TOLERANCING PER:
ASME Y14.5 -2009

NAME	DATE
DRAWN	
CHECKED	

TITLE:
ASSEMBLY

SIZE A	PART NO. 458HOO-HID-01-CRS	REV 0
WEIGHT: 2.674	NO SCALE	SHEET 2 OF 8