

- NOTES:
 1. MATERIAL OF CONSTRUCTION IS MILD STEEL COATED IN 2-4 MILS BLACK WRINKLE POWDER COATING.
 2. CUTOUT FOR HID 5365 Mullion Mount Reader

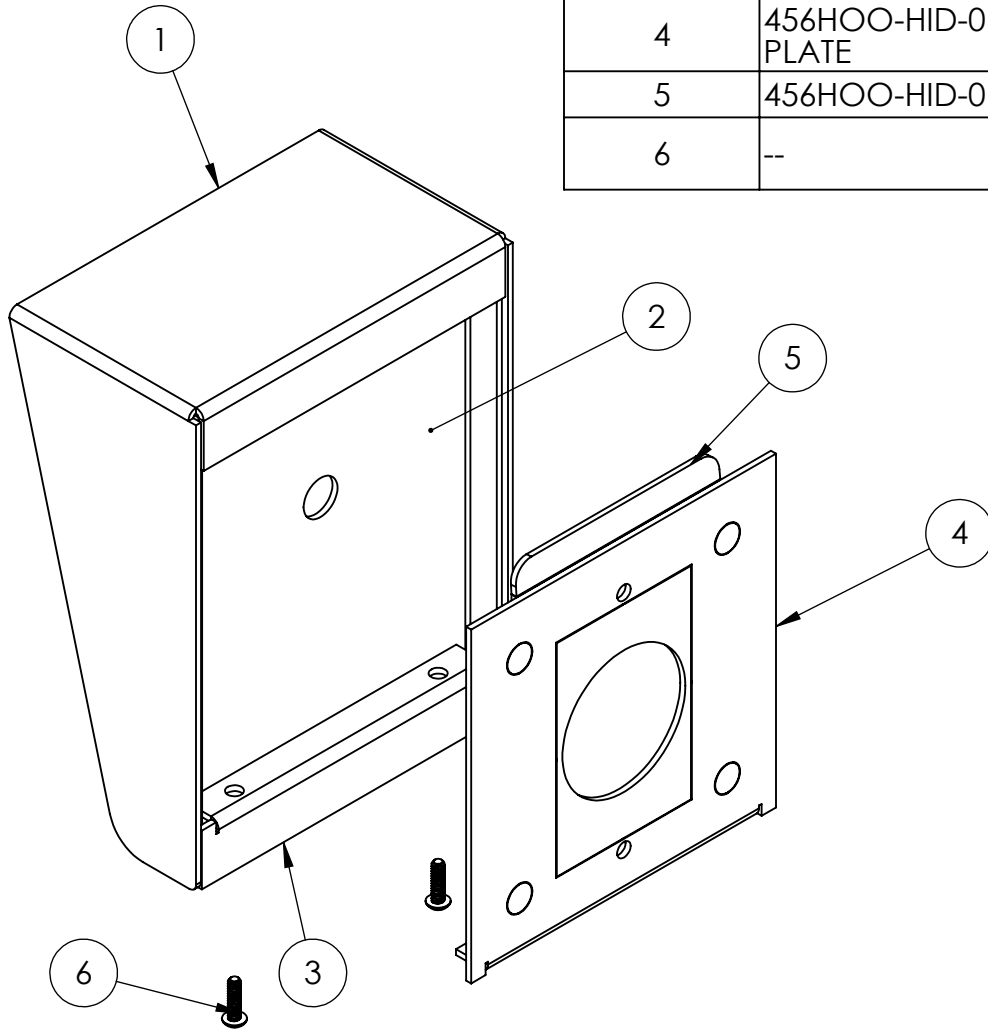
UNLESS OTHERWISE SPECIFIED:
 DIMENSIONS ARE IN INCHES
 TOLERANCES:
 FRACTIONAL $\pm 1/32$
 ANGULAR: $\pm 2^\circ$
 TWO PLACE DECIMAL ± 0.010
 THREE PLACE DECIMAL ± 0.005

INTERPRET GEOMETRIC TOLERANCING PER: ASME Y14.5 -2009

NAME	DATE
DRAWN	
CHECKED	

TITLE: INSTALLATION		SIZE A	PART NO. 456HOO-HID-01-CRS	REV 0
WEIGHT: 2.101		NO SCALE		SHEET 1 OF 8

ITEM NO.	PART NUMBER	DESCRIPTION	QTY.
1	J-HOOD-CS-4.5X6 HOOD	HOOD ASSEMBLY	1
2	456HOO-HID-01-CRS MID PLATE	DEVICE MOUNTING PLATE	1
3	456HOO-HID-01-CRS BOTTOM CLOSURE	HOOD ASSEMBLY	1
4	456HOO-HID-01-CRS BACK PLATE	MOUNTING PLATE	1
5	456HOO-HID-01-CRS HOOK	MOUNTING HOOK	1
6	--	6-32 X 1/2" PAN HEAD SECURITY SCREW	2



UNLESS OTHERWISE SPECIFIED:
 DIMENSIONS ARE IN INCHES
 TOLERANCES:
 FRACTIONAL $\pm 1/32$
 ANGULAR: $\pm 2^\circ$
 TWO PLACE DECIMAL ± 0.010
 THREE PLACE DECIMAL ± 0.005

INTERPRET GEOMETRIC
 TOLERANCING PER:
 ASME Y14.5 -2009

NAME	DATE
DRAWN	
CHECKED	

TITLE: ASSEMBLY		SIZE A	PART NO. 456HOO-HID-01-CRS	REV 0
WEIGHT: 2.101		NO SCALE		SHEET 2 OF 8