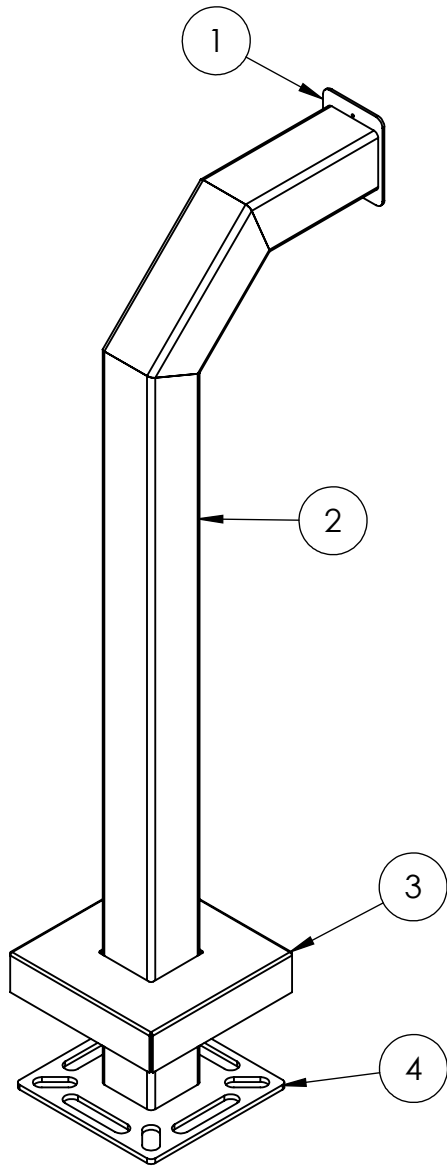


- NOTES:
1. 1/2" Ø MOUNTING HARDWARE IS RECOMMENDED FOR 5X5 BASEPLATE MODELS. L-BOLT-500, STUD-ANCHOR-500.
 2. 5/8" Ø MOUNTING HARDWARE IS RECOMMENDED FOR 8X8 AND 12X12 BASEPLATE MODELS. L-BOLT-625, STUD-ANCHOR-625
 3. MATERIALS FO CONSTRUCTION IS 304 SS

UNLESS OTHERWISE SPECIFIED: DIMENSIONS ARE IN INCHES TOLERANCES: FRACTIONAL ± 1/32 ANGULAR: ± 2° TWO PLACE DECIMAL ± 0.010 THREE PLACE DECIMAL ± 0.005	NAME	DATE
	DRAWN	
INTERPRET GEOMETRIC TOLERANCING PER: ASME Y14.5 -2009	CHECKED	

TITLE: INSTALLATION		
SIZE A	PART NO. 33PE1-PPRO-01-304	REV B
WEIGHT:	NO SCALE	SHEET 1 OF 4



ITEM NO.	PART NUMBER	DESCRIPTION	QTY.
1	PLTFAC-3-4	MOUNTING PLATE	1
2	42-3-12-SS	3X3 SQ 304SS TUBE	1
3	PLTCOV-8-3	8" STANDARD 304SS COVER PLATE	1
4	PLTBAS-8-3	8" STANDARD 304SS BASE PLATE	1
5	--	1/4-20 X .50 ZINC PL CARRIAGE BOLT	4
6	--	1/4-20 ZINC PL HEX NUT	4

NOTES:

1. BUTT WELDED SECTIONS ARE NOT ALLOWED, EACH SECTION OF TUBE MUST BE FROM CONTINUOUS STOCK.
2. ALL WELDS ARE TO BE CONTINUOUS FILLET WELDS UNLESS NOTED OTHERWISE.
3. SEE STANDARD PREPARATION AND COATING INSTRUCTIONS FOR COATING PROCEDURE AND COLOR.
4. FASTENERS ARE TO BE BAGGED AND SHIPPED WITH PEDESTAL.
5. SEE STANDARD PACKAGING INSTUCTIONS FOR PACKAGING PROCEDURE.

UNLESS OTHERWISE SPECIFIED:

DIMENSIONS ARE IN INCHES
 TOLERANCES:
 FRACTIONAL $\pm 1/32$
 ANGULAR: $\pm 2^\circ$
 TWO PLACE DECIMAL ± 0.010
 THREE PLACE DECIMAL ± 0.005

INTERPRET GEOMETRIC
 TOLERANCING PER:
 ASME Y14.5 -2009

	NAME	DATE
DRAWN		
CHECKED		

TITLE:
ASSEMBLY

SIZE A	PART NO. 33PE1-PPRO-01-304	REV B
WEIGHT:	NO SCALE	SHEET 2 OF 4