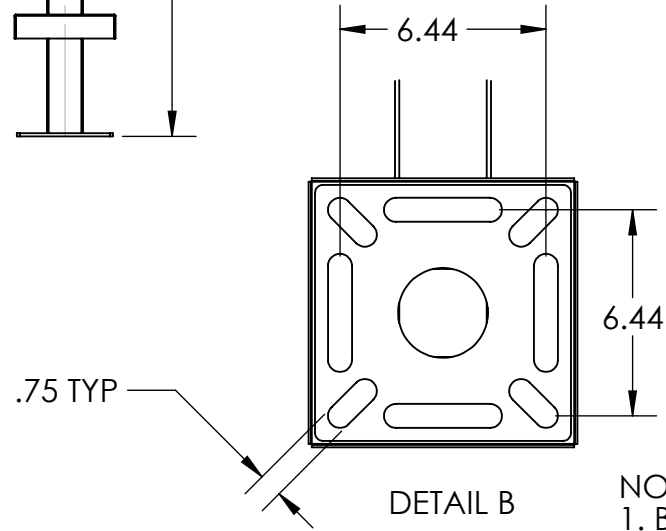
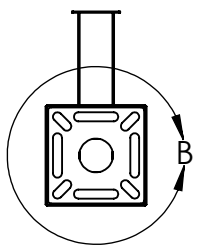
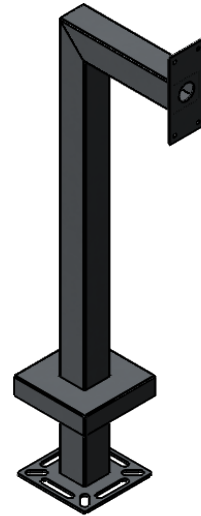
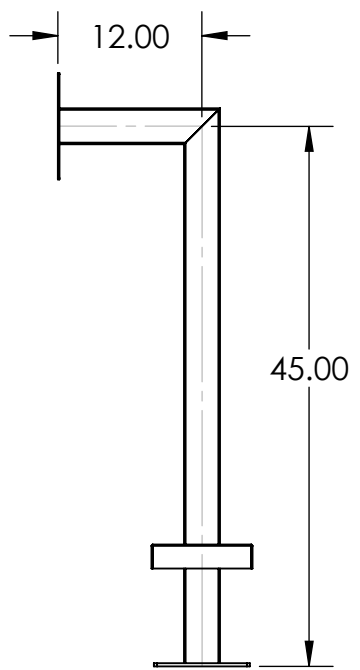
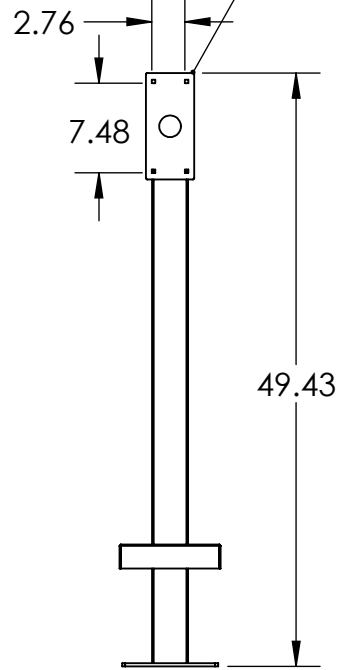


DOORBIRD D2101V  
SURFACE MOUNT



NOTES:  
1. BRUSHED 304 SS CONSTRUCTION.

www.GooseneckStands.com  
(800) 878-7829  
Sales@GooseneckStands.com

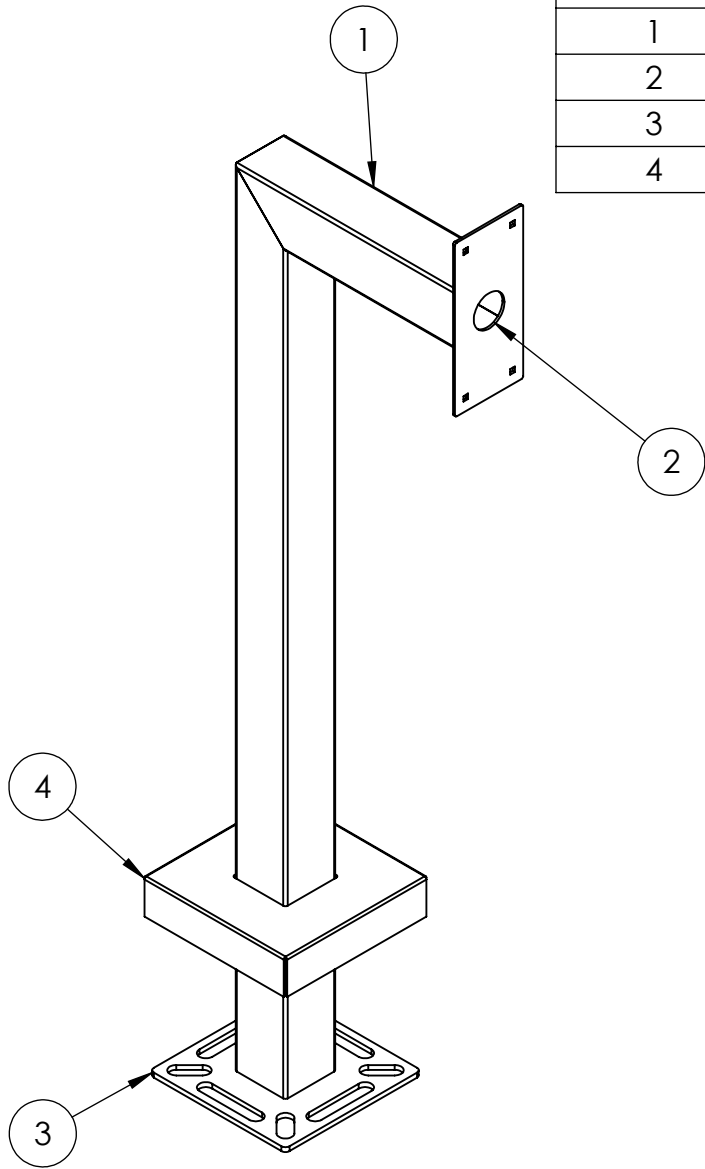
UNLESS OTHERWISE SPECIFIED:  
DIMENSIONS ARE IN INCHES  
TOLERANCES:  
FRACTIONAL ± 1/32  
ANGULAR: ± 2°  
TWO PLACE DECIMAL ± 0.010  
THREE PLACE DECIMAL ± 0.005  
INTERPRET GEOMETRIC  
TOLERANCING PER:  
ASME Y14.5 -2009

NAME	DATE
DRAWN	
CHECKED	
<b>PROPRIETARY AND CONFIDENTIAL</b>	
THE INFORMATION CONTAINED IN THIS DRAWING IS THE SOLE PROPERTY OF PEDESTALPRO LLC. ANY REPRODUCTION IN PART OR AS A WHOLE WITHOUT THE WRITTEN PERMISSION OF PEDESTALPRO LLC IS PROHIBITED.	

TITLE:  
**INSTALLATION**  
Friday, August 7, 2020  
9:49:53 AM  
WEIGHT: 30.235

SIZE <b>A</b>	PART NO. 33PE1-DOOR-01-304	REV <b>0</b>
NO SCALE		SHEET 1 OF 3

ITEM NO.	PART NUMBER	DESCRIPTION	QTY.
1	33PE1-DOOR-01-304 TUBE	3 X 3 304 SS TUBE	1
2	PLAFAC-48-2	DOORBIRD D2101V FACE PLATE	1
3	PLTBAS-8-3	STND 8" BASE PLATE 304 SS	1
4	PLTCOV-8-3	STND 8" COVER PLATE 304 SS	1



NOTES:

1. SEE STANDARD PREPARATION AND COATING INSTRUCTIONS FOR COATING PROCEDURE AND COLOR.
2. SEE STANDARD PACKAGING INSTRUCTIONS FOR PACKAGING PROCEDURE.

www.GooseneckStands.com  
 (800) 878-7829  
 Sales@GooseneckStands.com

UNLESS OTHERWISE SPECIFIED:

DIMENSIONS ARE IN INCHES  
 TOLERANCES:  
 FRACTIONAL  $\pm 1/32$   
 ANGULAR:  $\pm 2^\circ$   
 TWO PLACE DECIMAL  $\pm 0.010$   
 THREE PLACE DECIMAL  $\pm 0.005$

INTERPRET GEOMETRIC  
 TOLERANCING PER:  
 ASME Y14.5 -2009

NAME	DATE
DRAWN	
CHECKED	

**PROPRIETARY AND CONFIDENTIAL**  
 THE INFORMATION CONTAINED IN THIS  
 DRAWING IS THE SOLE PROPERTY OF  
 PEDESTALPRO LLC. ANY REPRODUCTION  
 IN PART OR AS A WHOLE WITHOUT THE  
 WRITTEN PERMISSION OF PEDESTALPRO LLC  
 IS PROHIBITED.

TITLE:  
**ASSEMBLY**

Friday, August 7, 2020  
 9:49:53 AM

WEIGHT: 30.235

SIZE	PART NO.	REV
<b>A</b>	33PE1-DOOR-01-304	<b>0</b>
NO SCALE		SHEET 2 OF 3