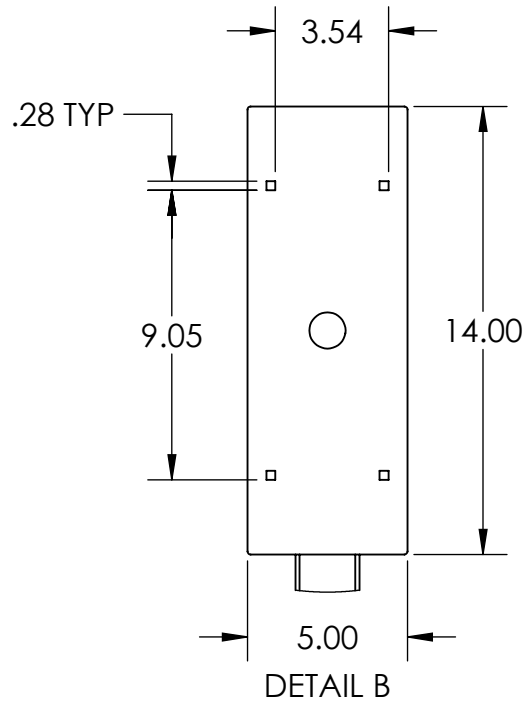
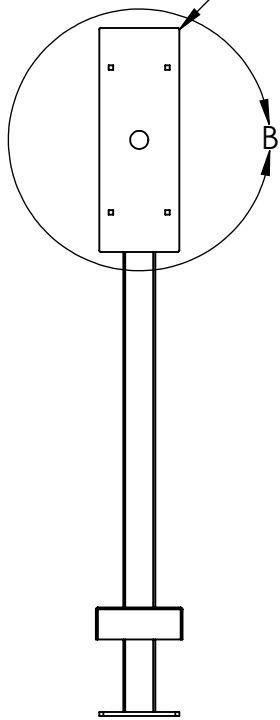
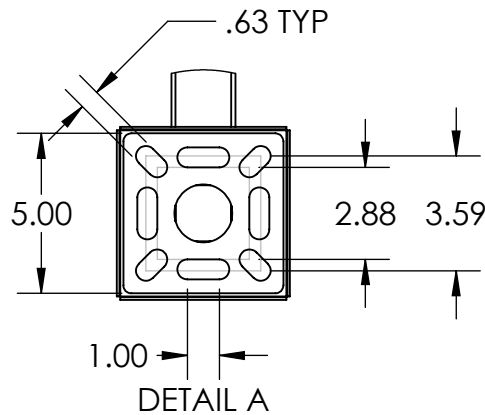
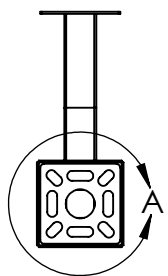
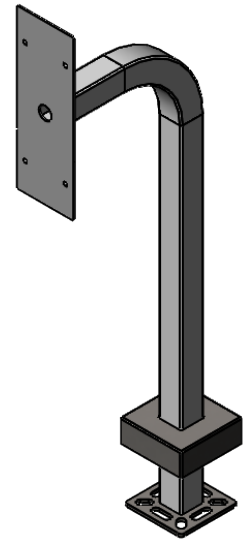
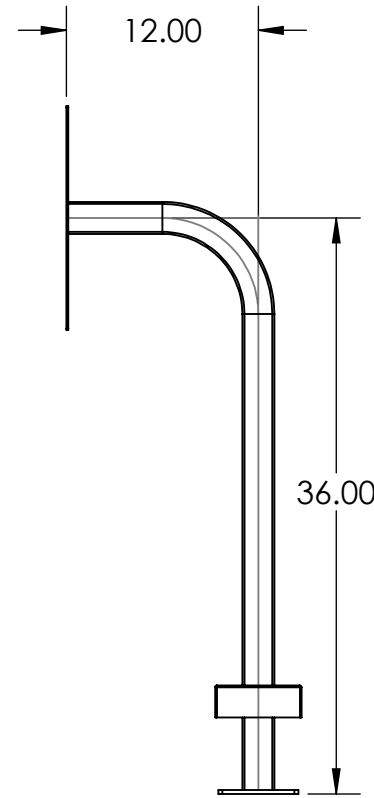


DOORBIRD D21DKV  
SURFACE MOUNT



DETAIL B



DETAIL A

NOTES:  
1. 2-4 MILS BLACK WRINKLE POWDER COAT.

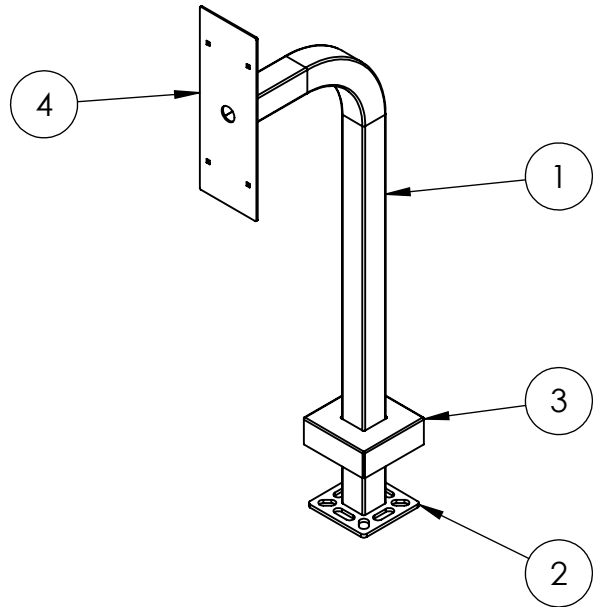
UNLESS OTHERWISE SPECIFIED:  
DIMENSIONS ARE IN INCHES  
TOLERANCES:  
FRACTIONAL  $\pm 1/32$   
ANGULAR:  $\pm 2^\circ$   
TWO PLACE DECIMAL  $\pm 0.010$   
THREE PLACE DECIMAL  $\pm 0.005$   
INTERPRET GEOMETRIC  
TOLERANCING PER:  
ASME Y14.5 -2009

NAME	DATE
DRAWN	
CHECKED	

TITLE:  
**INSTALLATION**

SIZE	PART NO.	REV
<b>A</b>	22PE1-DOOR-04-CRS	<b>0</b>
WEIGHT: 14.655	NO SCALE	SHEET 1 OF 3

ITEM NO.	PART NUMBER	DESCRIPTION	QTY.
1	22PE1-DOOR-04-CRS	2 X 2 MILD STEEL TUBE	1
2	PLTBAS-5-2	5" STANDARD BASE PLATE	1
3	PLTCOV-5-2	5" STANDARD COVER PLATE	1
4	PLTFAC-514-2	DOORBIRD D21DKV FACE PLATE	1
5	--	1/4-20 X .5 ZINC PL CARRIAGE BOLT	4
6	--	1/4-20 ZINC PL HEX NUT	4



NOTES:

1. SEE STANDARD PREPARATION AND COATING INSTRUCTIONS FOR COATING PROCEDURE AND COLOR.
2. SEE STANDARD PACKAGING INSTRUCTIONS FOR PACKAGING PROCEDURE.

UNLESS OTHERWISE SPECIFIED:  
 DIMENSIONS ARE IN INCHES  
 TOLERANCES:  
 FRACTIONAL  $\pm 1/32$   
 ANGULAR:  $\pm 2^\circ$   
 TWO PLACE DECIMAL  $\pm 0.010$   
 THREE PLACE DECIMAL  $\pm 0.005$   
 INTERPRET GEOMETRIC  
 TOLERANCING PER:  
 ASME Y14.5 -2009

	NAME	DATE
DRAWN		
CHECKED		

TITLE: <b>ASSEMBLY</b>		SIZE <b>A</b>	PART NO. 22PE1-DOOR-04-CRS	REV <b>0</b>
WEIGHT: 14.655		NO SCALE		SHEET 2 OF 3