

NOTES:
1. COATED IN 2-4 MILS BLACK WRINKLE POWDER COATING.

www.GooseneckStands.com
(800) 878-7829
Sales@GooseneckStands.com

UNLESS OTHERWISE SPECIFIED:
DIMENSIONS ARE IN INCHES
TOLERANCES:
FRACTIONAL $\pm 1/32$
ANGULAR: $\pm 2^\circ$
TWO PLACE DECIMAL ± 0.010
THREE PLACE DECIMAL ± 0.005
INTERPRET GEOMETRIC
TOLERANCING PER:
ASME Y14.5 -2009

NAME	DATE
DRAWN	
CHECKED	

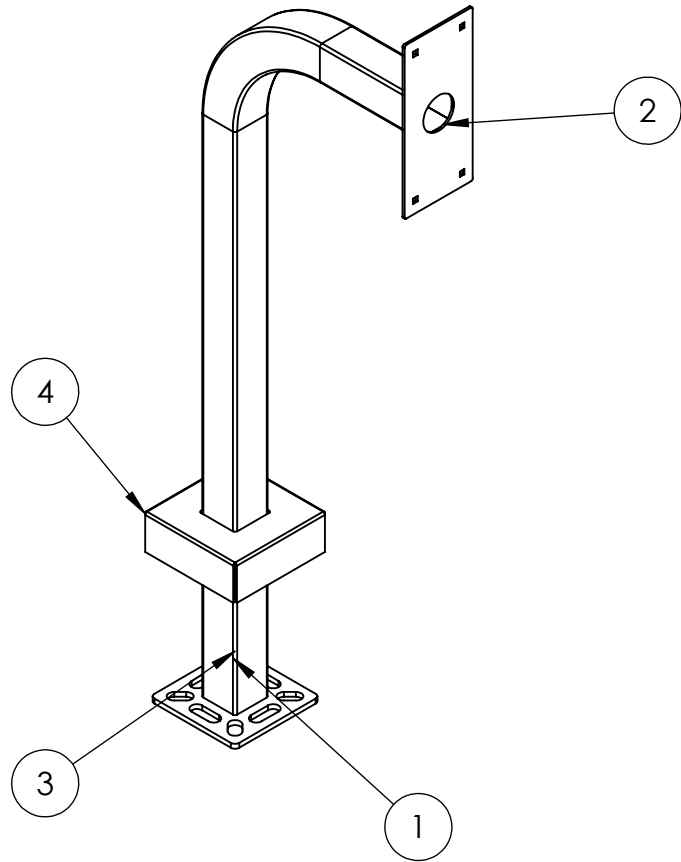
PROPRIETARY AND CONFIDENTIAL
THE INFORMATION CONTAINED IN THIS DRAWING IS THE SOLE PROPERTY OF PEDESTALPRO LLC. ANY REPRODUCTION IN PART OR AS A WHOLE WITHOUT THE WRITTEN PERMISSION OF PEDESTALPRO LLC IS PROHIBITED.

TITLE:
INSTALLATION
Friday, August 7, 2020
9:13:24 AM
WEIGHT: 15.466

SIZE	PART NO.	REV
A	22PE1-DOOR-01-CRS	0

NO SCALE SHEET 1 OF 3

ITEM NO.	PART NUMBER	DESCRIPTION	QTY.
1	22PE1-DOOR-01-CRS TUBE	2 X 2 MILD STEEL TUBE	1
2	PLAFAC-48-2	DOORBIRD D2101V FACE PLATE	1
3	PLTBAS-5-2	STND 5" BASE PLATE	1
4	PLTCOV-5-2	STND 5" COVER PLATE	1
5	--	1/4-20 X .5 ZINC PL CARRIAGE BOLT	4
6	--	1/4-20 ZINC PL HEX NUT	4



NOTES:

1. SEE STANDARD PREPARATION AND COATING INSTRUCTIONS FOR COATING PROCEDURE AND COLOR.
2. SEE STANDARD PACKAGING INSTRUCTIONS FOR PACKAGING PROCEDURE.

www.GooseneckStands.com
(800) 878-7829
Sales@GooseneckStands.com

UNLESS OTHERWISE SPECIFIED:
DIMENSIONS ARE IN INCHES
TOLERANCES:
FRACTIONAL ± 1/32
ANGULAR: ± 2°
TWO PLACE DECIMAL ± 0.010
THREE PLACE DECIMAL ± 0.005
INTERPRET GEOMETRIC
TOLERANCING PER:
ASME Y14.5 -2009

NAME	DATE
DRAWN	
CHECKED	

PROPRIETARY AND CONFIDENTIAL
THE INFORMATION CONTAINED IN THIS
DRAWING IS THE SOLE PROPERTY OF
PEDESTALPRO LLC. ANY REPRODUCTION
IN PART OR AS A WHOLE WITHOUT THE
WRITTEN PERMISSION OF PEDESTALPRO LLC
IS PROHIBITED.

TITLE: ASSEMBLY		SIZE A	PART NO. 22PE1-DOOR-01-CRS	REV 0
Friday, August 7, 2020 9:13:24 AM		NO SCALE		SHEET 2 OF 3
WEIGHT: 15.466				