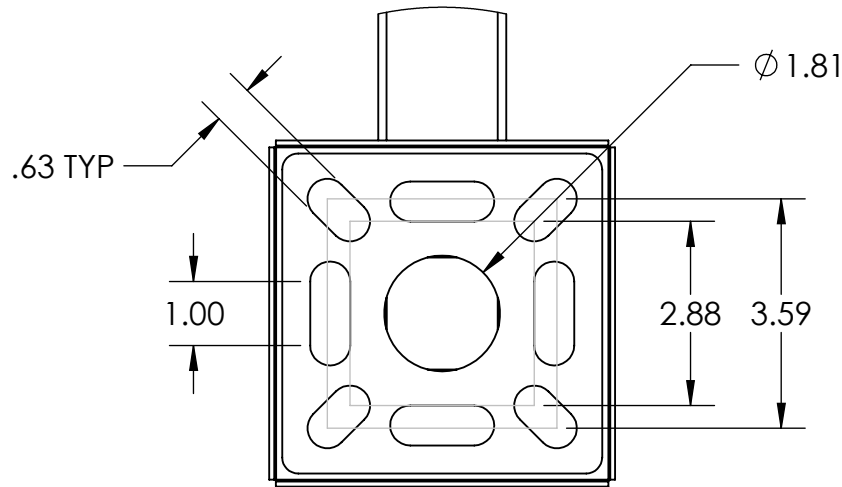
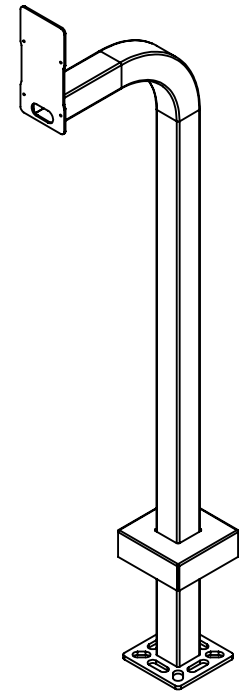
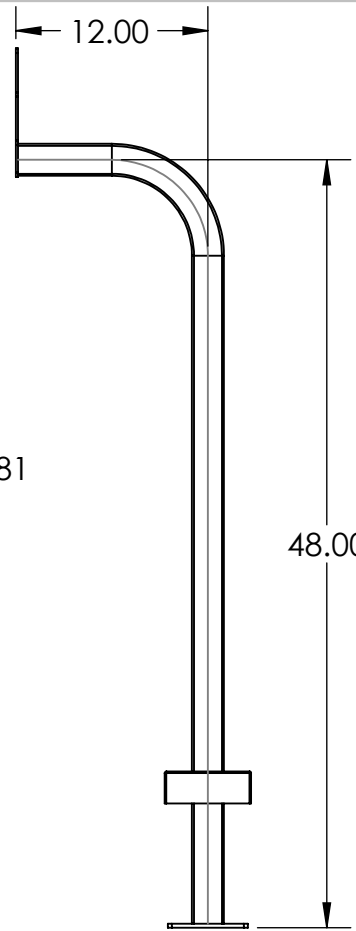
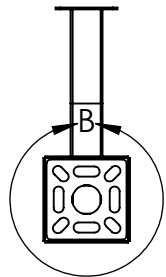


MOUNTS A 2N IP FORCE/SAFETY



DETAIL B



NOTES:

1. MATERIAL OF CONSTRUCTION IS MILD STEEL.
2. 2-4 MILS BLACK WRINKLE POWDER COAT.

UNLESS OTHERWISE SPECIFIED:

DIMENSIONS ARE IN INCHES  
 TOLERANCES:  
 FRACTIONAL  $\pm 1/32$   
 ANGULAR:  $\pm 2^\circ$   
 TWO PLACE DECIMAL  $\pm 0.010$   
 THREE PLACE DECIMAL  $\pm 0.005$

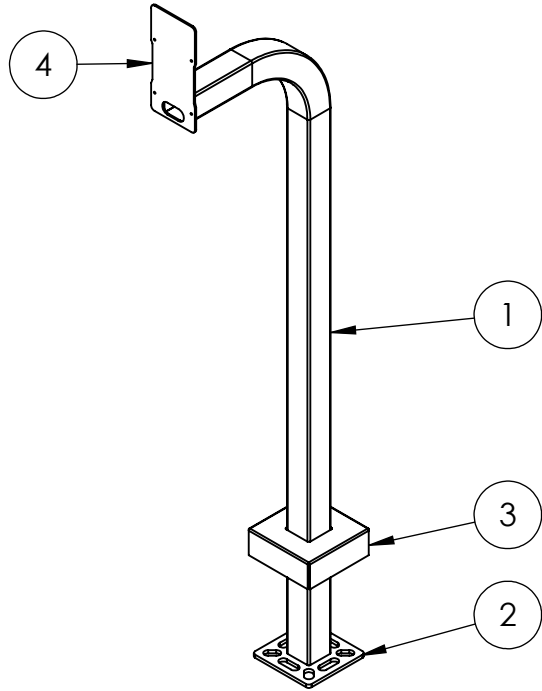
INTERPRET GEOMETRIC  
 TOLERANCING PER:  
 ASME Y14.5 -2009

NAME	DATE
DRAWN	
CHECKED	

TITLE:  
**INSTALLATION**

WEIGHT: 18.478	SIZE <b>A</b>	PART NO. 22PE1-2NIP-01-CRS	REV <b>0</b>
	NO SCALE	SHEET 1 OF 4	

ITEM NO.	PART NUMBER	DESCRIPTION	QTY.
1	22PE1-2NIP-01-CRS	2X2 WELDMENT	1
2	PLTBAS-5-2	5" STANDARD BASE PLATE	1
3	PLTCOV-5-2	STANDARD COVER PLATE	1
4	PLTFAC-IP FORCE	2N IP FORCE FACE PLATE	1
5	--	1/4-20 X .5 ZINC PL CARRIAGE BOLT	4
6	--	1/4-20 ZINC PL HEX NUT	4



NOTES:

1. SEE STANDARD PREPARATION AND COATING INSTRUCTIONS FOR COATING PROCEDURE AND COLOR.
2. SEE STANDARD PACKAGING INSTRUCTIONS FOR PACKAGING PROCEDURE.

UNLESS OTHERWISE SPECIFIED:

DIMENSIONS ARE IN INCHES  
TOLERANCES:  
FRACTIONAL  $\pm 1/32$   
ANGULAR:  $\pm 2^\circ$   
TWO PLACE DECIMAL  $\pm 0.010$   
THREE PLACE DECIMAL  $\pm 0.005$

INTERPRET GEOMETRIC  
TOLERANCING PER:  
ASME Y14.5 -2009

NAME DATE

DRAWN  
CHECKED

TITLE:

ASSEMBLY

SIZE  
**A**

PART NO.  
22PE1-2NIP-01-CRS

REV  
**0**

WEIGHT: 18.478

NO SCALE

SHEET 2 OF 4