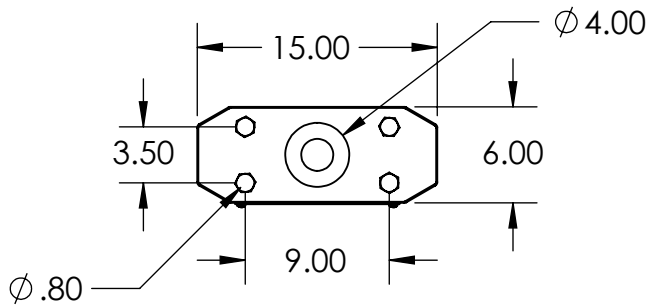
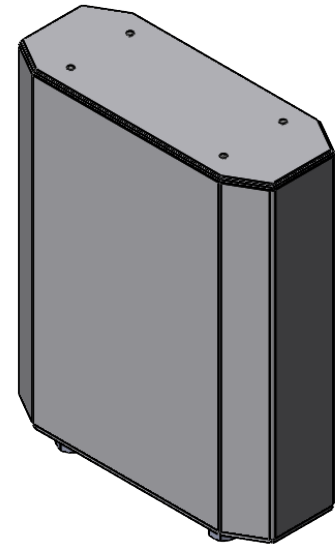


ACCESS PANEL



NOTES:

1. MATERIAL OF CONSTRUCTION IS ALUMINUM.
2. COATED IN 2-4 MILS GLOSS BLUE POWDER COATING.

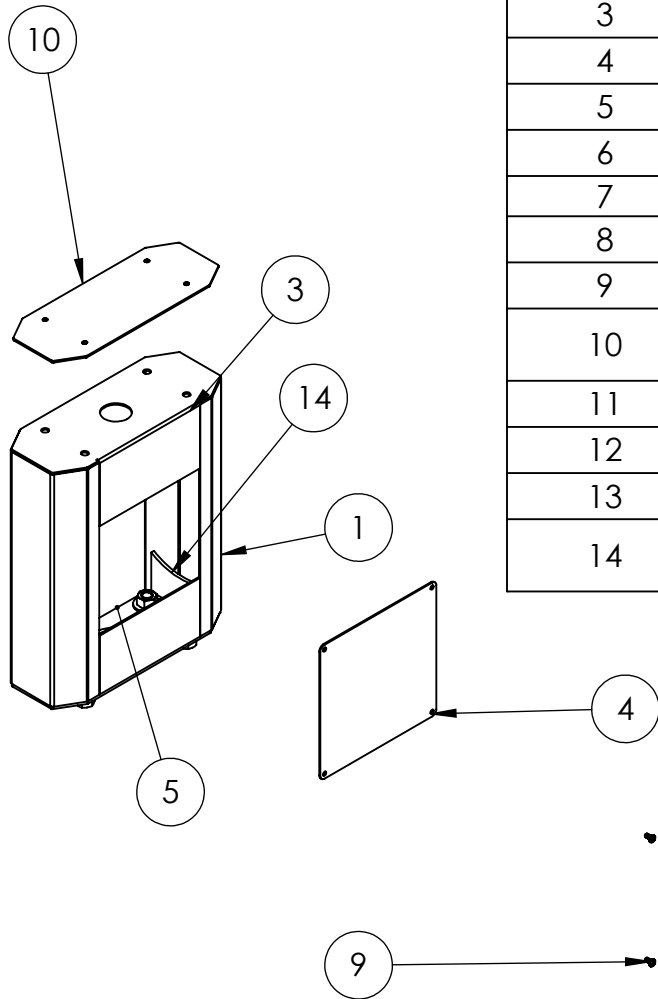
UNLESS OTHERWISE SPECIFIED:
 DIMENSIONS ARE IN INCHES
 TOLERANCES:
 FRACTIONAL $\pm 1/32$
 ANGULAR: $\pm 2^\circ$
 TWO PLACE DECIMAL ± 0.010
 THREE PLACE DECIMAL ± 0.005
 INTERPRET GEOMETRIC
 TOLERANCING PER:
 ASME Y14.5 -2009

NAME	DATE
DRAWN	
CHECKED	
PROPRIETARY AND CONFIDENTIAL	
THE INFORMATION CONTAINED IN THIS DRAWING IS THE SOLE PROPERTY OF PEDESTALPRO LLC. ANY REPRODUCTION IN PART OR AS A WHOLE WITHOUT THE WRITTEN PERMISSION OF PEDESTALPRO LLC IS PROHIBITED.	

TITLE:
INSTALLATION
 Thursday, April 18, 2024
 3:57:29 PM
 WEIGHT: 12.990

SIZE A	PART NO. 156TOW-EMER-02-ALU
NO SCALE	

REV A
SHEET 1 OF 9



ITEM NO.	PART NUMBER	DESCRIPTION	QTY.
1	156TOW-EMER-02-ALU BODY	ALUM BODY	1
2	156TOW-EMER-02-ALU CLOSURE	CLOSURE PANEL	1
3	156TOW-EMER-02-ALU CAP	TOP CAP	1
4	156TOW-EMER-02-ALU ACCESS	ACCESS PANEL	1
5	156TOW-EMER-02-ALU BASE	BASE PLATE	1
6	--	18-8 STAINLESS STEEL WASHER	4
7	--	5/8-16 X 2" SS HHCS	4
8	--	5/8-16 SS HEX NUT	4
9	--	1/4-20 X 1/2 SS PAN HEAD	4
10	156TOW-EMER-02-ALU TOP CAP	BLANK CAP	1
11	--	1/4"-20 X 1 SS PEM STUD	4
12	--	1/4-20 NYLON LOCK NUT	4
13	--	1/4-20 X 1" FLAT WASHER	4
14	156TOW-EMER-02-ALU STIFFENER	BASE STIFFENER	2

NOTES:

1. SEE STANDARD PREPARATION AND COATING INSTRUCTIONS FOR COATING PROCEDURE AND COLOR.
2. SEE STANDARD PACKAGING INSTRUCTIONS FOR PACKAGING PROCEDURE.

UNLESS OTHERWISE SPECIFIED:

DIMENSIONS ARE IN INCHES
 TOLERANCES:
 FRACTIONAL ± 1/32
 ANGULAR: ± 2°
 TWO PLACE DECIMAL ± 0.010
 THREE PLACE DECIMAL ± 0.005

INTERPRET GEOMETRIC
 TOLERANCING PER:
 ASME Y14.5 -2009

NAME	DATE
DRAWN	
CHECKED	

PROPRIETARY AND CONFIDENTIAL
 THE INFORMATION CONTAINED IN THIS
 DRAWING IS THE SOLE PROPERTY OF
 PEDESTALPRO LLC. ANY REPRODUCTION
 IN PART OR AS A WHOLE WITHOUT THE
 WRITTEN PERMISSION OF PEDESTALPRO LLC
 IS PROHIBITED.

TITLE:
ASSEMBLY

Thursday, April 18, 2024
 3:57:29 PM

WEIGHT: 12.990

SIZE	PART NO.	REV
A	156TOW-EMER-02-ALU	A

NO SCALE

SHEET 2 OF 9