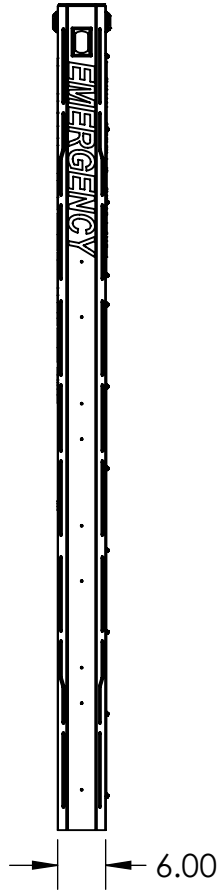
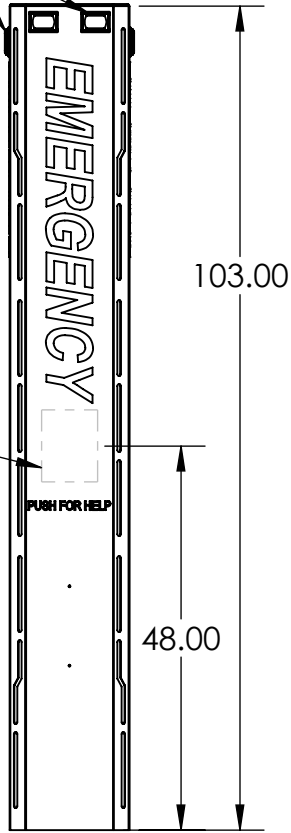


(6X) BLUE STROBE

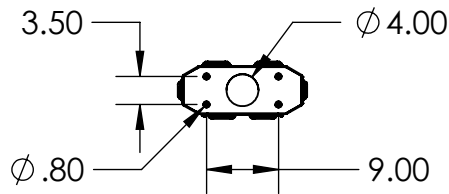
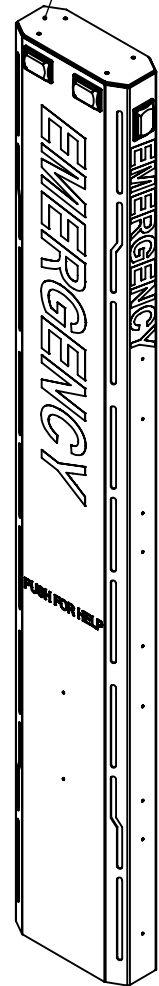
AVAILABLE CUTOUT AREA



REMOVABLE TOP/ACCESSORY MOUNTING

PHOTOCELL SENSOR

ACCESS PANEL



NOTES:

1. MATERIAL OF CONSTRUCTION IS ALUMINUM.
2. COATED IN 2-4 MILS OF GLOSS BLUE POWDER COATING.
3. INTERCOM, CAMERAS, ETC. TO BE PROVIDED BY CUSTOMER.
4. LIGHTING REQUIRES CONNECTION TO INTERCOM FOR ACTIVATION.

UNLESS OTHERWISE SPECIFIED:

DIMENSIONS ARE IN INCHES  
 TOLERANCES:  
 FRACTIONAL  $\pm 1/32$   
 ANGULAR:  $\pm 2^\circ$   
 TWO PLACE DECIMAL  $\pm 0.010$   
 THREE PLACE DECIMAL  $\pm 0.005$

INTERPRET GEOMETRIC  
 TOLERANCING PER:  
 ASME Y14.5 -2009

NAME	DATE
DRAWN	
CHECKED	

**PROPRIETARY AND CONFIDENTIAL**  
 THE INFORMATION CONTAINED IN THIS DRAWING IS THE SOLE PROPERTY OF PEDESTALPRO LLC. ANY REPRODUCTION IN PART OR AS A WHOLE WITHOUT THE WRITTEN PERMISSION OF PEDESTALPRO LLC IS PROHIBITED.

TITLE:  
**INSTALLATION**

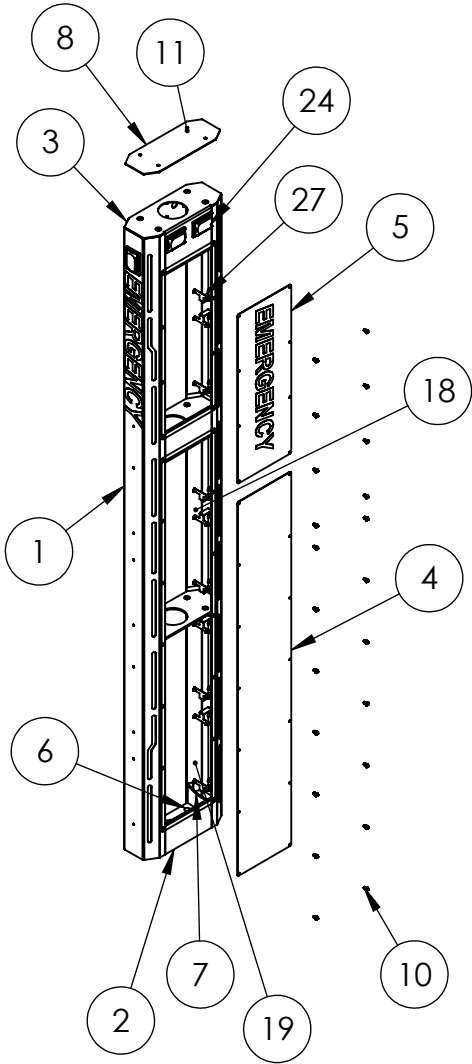
Wednesday, October 16, 2024 8:46:03 AM

WEIGHT: 68.013

SIZE	PART NO.	REV
<b>A</b>	156TOW-EMER-01-ALU	<b>A</b>

NO SCALE

SHEET 1 OF 20



ITEM NO.	PART NUMBER	DESCRIPTION	QTY.
1	156TOW-EMER-01-ALU BODY	ALUMINUM BODY	1
2	156TOW-EMER-01-ALU CLOSURE	CLOSURE PANEL	2
3	156TOW-EMER-01-ALU CAP	TOP CAP	1
4	156TOW-EMER-01-ALU ACCESS LOWER	ACCESS PANEL	1
5	156TOW-EMER-01-ALU ACCESS UPPER	ACCESS PANEL	1
6	156TOW-EMER-01-ALU BASE	BASE PLATE	1
7	156TOW-EMER-01-ALU STIFFENER	BASE STIFFENER	2
8	156TOW-EMER-01-ALU TOP CAP	BLANK CAP	1
9	156TOW-EMER-01-ALU RIB	INTERNAL BRACING PLATE	2
10	--	1/4-20 X 1/2 SS PAN HD SCREW	22
11	--	1/4-20 X 1" SS PEM STUD	4
12	--	1/4-20 NYLON LOCK NUT	4
13	--	1/4-20 X 1" FLAT WASHER	4
14	--	4-40 X 1/2" SS PAN HD SCREW	24
15	--	DIN MOUNTING RAIL BOTTOM	1
16	--	DIN MOUNTING RAIL UPPER & MID	2
17	156TOW-EMER-01-ALU POLYCARB TOP	FROSTED POLYCARBONATE WINDOW	2
18	156TOW-EMER-01-ALU POLYCARB MID	FROSTED POLYCARBONATE WINDOW	2
19	156TOW-EMER-01-ALU POLYCARB BOTTOM	FROSTED POLYCARBONATE WINDOW	2
20	BLUE BRICK LIGHT	BLUE STOBE LED LIGHT	6
21	LARGE EMERGENCY DECAL	WHITE REFLECTIVE VINYL	1
22	MEDIUM EMERGENCY DECAL	WHITE REFLECTIVE VINYL	3
23	PUSH FOR HELP DECAL	WHITE REFLECTIVE VINYL	1
24	--	10-24 STAINLESS STEEL KEPS NUT	30
25	--	6-32 SS NYLON LOCK NUT	48
26	--	6-32 X 1/2" SS PEM STUD	48
27	BRA133-EMER-01-304	LIGHT BRACKET	12
28	--	10-24 X .75" SS PEM STUD	30
29	TOP-BOTTOM GASKET	SOFT NEOPRENE GASKET	4
30	LOWER SIDE GASKET	SOFT NEOPRENE GASKET	2
31	UPPER SIDE GASKET	SOFT NEOPRENE GASKET	2

UNLESS OTHERWISE SPECIFIED:  
 DIMENSIONS ARE IN INCHES  
 TOLERANCES:  
 FRACTIONAL ± 1/32  
 ANGULAR: ± 2°  
 TWO PLACE DECIMAL ± 0.010  
 THREE PLACE DECIMAL ± 0.005  
 INTERPRET GEOMETRIC TOLERANCING PER: ASME Y14.5 -2009

NAME	DATE
DRAWN	
CHECKED	
<b>PROPRIETARY AND CONFIDENTIAL</b>	
THE INFORMATION CONTAINED IN THIS DRAWING IS THE SOLE PROPERTY OF PEDESTALPRO LLC. ANY REPRODUCTION IN PART OR AS A WHOLE WITHOUT THE WRITTEN PERMISSION OF PEDESTALPRO LLC IS PROHIBITED.	

TITLE: <b>ASSEMBLY</b>		DATE: Wednesday, October 16, 2024 8:46:03 AM	SIZE: <b>A</b>	PART NO. 156TOW-EMER-01-ALU	REV: <b>A</b>
WEIGHT: 68.013		NO SCALE		SHEET 2 OF 20	