

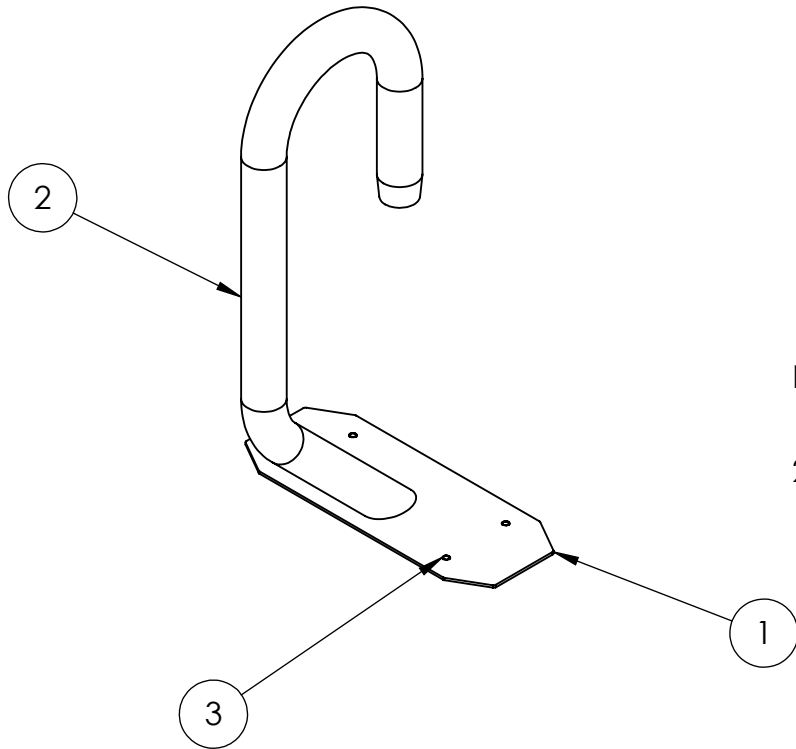
NOTES:  
 1. MATERIAL OF CONSTRUCTION IS 304 SS COATED IN 2-4 MILS BLUE POWDER COATING.

UNLESS OTHERWISE SPECIFIED:  
 DIMENSIONS ARE IN INCHES  
 TOLERANCES:  
 FRACTIONAL  $\pm 1/32$   
 ANGULAR:  $\pm 2^\circ$   
 TWO PLACE DECIMAL  $\pm 0.010$   
 THREE PLACE DECIMAL  $\pm 0.005$   
 INTERPRET GEOMETRIC TOLERANCING PER: ASME Y14.5 -2009

| NAME   | DATE |
|--|------|
| DRAWN  |      |
| CHECKED  |      |
| <b>PROPRIETARY AND CONFIDENTIAL</b>  |      |
| THE INFORMATION CONTAINED IN THIS DRAWING IS THE SOLE PROPERTY OF PEDESTALPRO LLC. ANY REPRODUCTION IN PART OR AS A WHOLE WITHOUT THE WRITTEN PERMISSION OF PEDESTALPRO LLC IS PROHIBITED. |      |

|  |  |                  |                                |                 |
|--|--|------------------|--------------------------------|-----------------|
| TITLE:<br><b>INSTALLATION</b>          |  | SIZE<br><b>A</b> | PART NO.<br>156TOW-EMER-01-304 | REV<br><b>A</b> |
| Wednesday, October 26, 2022 2:29:36 PM |  | NO SCALE         |                                | SHEET 1 OF 5    |
| WEIGHT: 12.613                         |  |                  |                                |                 |

| ITEM NO. | PART NUMBER             | DESCRIPTION             | QTY. |
|----------|-------------------------|-------------------------|------|
| 1        | 156TOW-EMER-01-304 BASE | BASE PLATE              | 1    |
| 2        | 156TOW-EMER-01-304 HOOK | 1 1/2 304 SS PIPE       | 1    |
| 3        | --                      | 1/4"-20 X 1 SS PEM STUD | 4    |



NOTES:

1. SEE STANDARD PREPARATION AND COATING INSTRUCTIONS FOR COATING PROCEDURE AND COLOR.
2. SEE STANDARD PACKAGING INSTRUCTIONS FOR PACKAGING PROCEDURE.

UNLESS OTHERWISE SPECIFIED:

DIMENSIONS ARE IN INCHES  
TOLERANCES:  
FRACTIONAL  $\pm 1/32$   
ANGULAR:  $\pm 2^\circ$   
TWO PLACE DECIMAL  $\pm 0.010$   
THREE PLACE DECIMAL  $\pm 0.005$

INTERPRET GEOMETRIC  
TOLERANCING PER:  
ASME Y14.5 -2009

| NAME    | DATE |
|---------|------|
| DRAWN   |      |
| CHECKED |      |

**PROPRIETARY AND CONFIDENTIAL**  
THE INFORMATION CONTAINED IN THIS DRAWING IS THE SOLE PROPERTY OF PEDESTALPRO LLC. ANY REPRODUCTION IN PART OR AS A WHOLE WITHOUT THE WRITTEN PERMISSION OF PEDESTALPRO LLC IS PROHIBITED.

TITLE:  
**ASSEMBLY**

Wednesday, October 26, 2022 2:29:36 PM

WEIGHT: 12.613

|                  |                                |
|------------------|--------------------------------|
| SIZE<br><b>A</b> | PART NO.<br>156TOW-EMER-01-304 |
|------------------|--------------------------------|

|                 |
|-----------------|
| REV<br><b>A</b> |
|-----------------|

|          |              |
|----------|--------------|
| NO SCALE | SHEET 2 OF 5 |
|----------|--------------|